

# VIA DANTE

## Thermostatic shower system – 2 functions

#91082



## Uniplex T .2.3 1/2" thermostatic valve with diverter 2 or 3 way



### FEATURES

- Solid brass
- German made cartridges (diverter cartridge not included)
- Service check valves / stop valves
- Optional top outlet 1/2" NPT
- Reversible service check valves with / stop valves
- Diverter test cap
- 1/2" female water inlets/outlets - NPT/sweat
- Flow rate: 6.5 gpm (24.6 L/min)

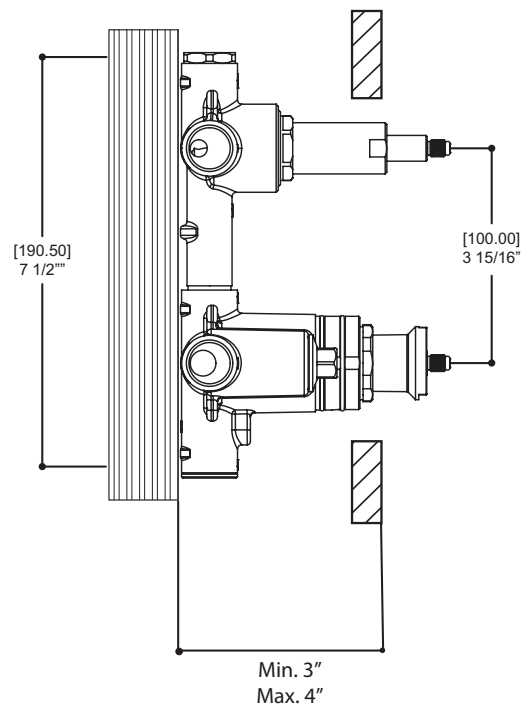
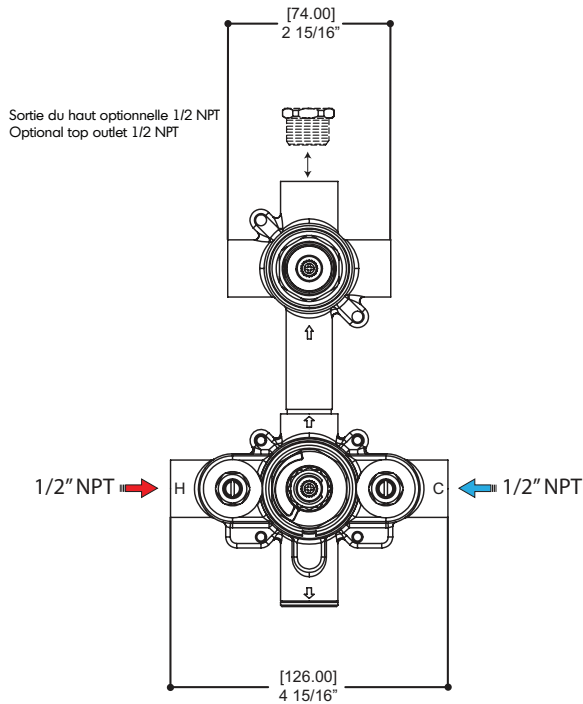
### FINISH

Polished chrome (pc)

### WARRANTY

Limited lifetime warranty on all cartridges and also on the polished chrome finish. All other components and parts carry a limited five-year warranty.

### CODE & COMPLIANCE



# VIA-DANTE

## # 30892-30882

thermostatic valve trim kit with diverter for #90801



### FEATURES

Rectangular trim  
 Single temperature control  
 Safety temperature stop, preset at 38 C  
 German made diverter cartridge included (2-way shared #30892 or non-shared #30882)  
 Handles included  
 Thermostatic valve Uniplex T.2.3 not included

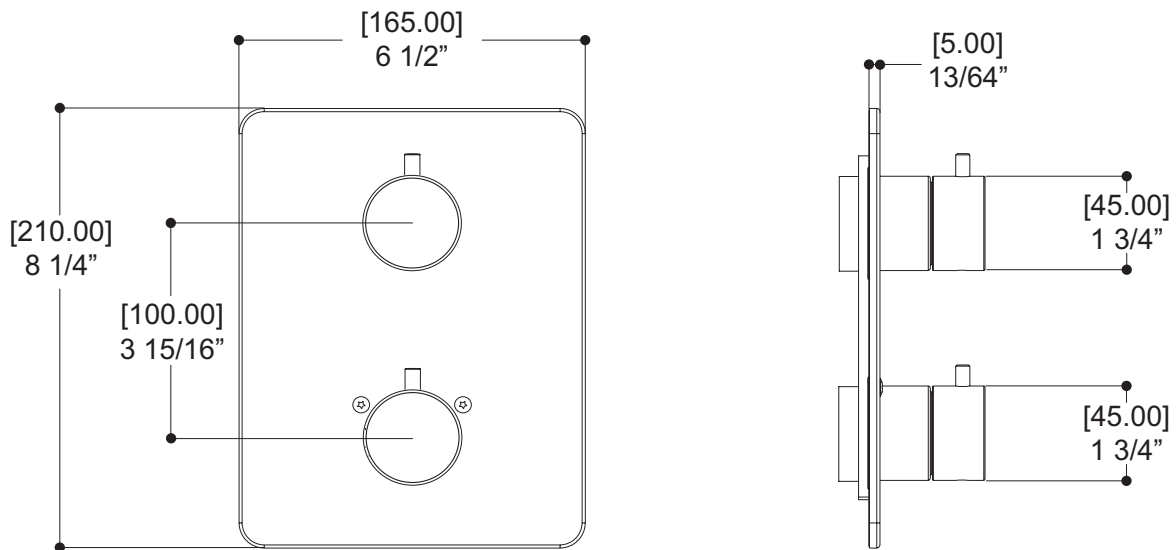
### FINISH

Polished chrome (pc)

### WARRANTY

limited lifetime warranty on all cartridges and also on the polished chrome finish. All other components and parts carry a limited five-year warranty.

### CODE & COMPLIANCE



# ROUND ARM # 90768



## FEATURES

- 16" round arm (wall installation)
- Solid brass
- Round flange
- 1/2" female water inlet - NPT

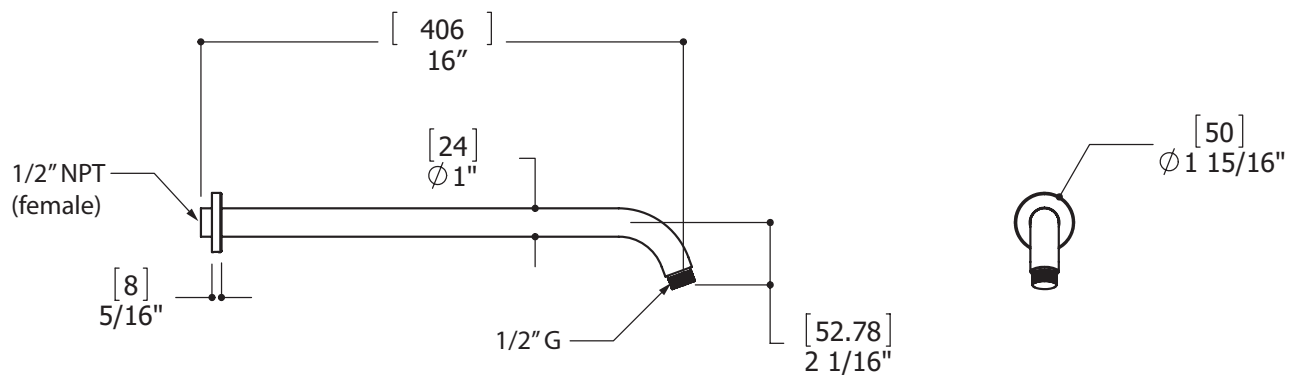
## FINISH

Polished chrome (pc)

## WARRANTY

limited lifetime warranty on the polished chrome finish. All other components and parts carry a limited five-year warranty.

## CODE & COMPLIANCE



# 4" SHOWER ARM

## # 90858



### FEATURES

4" arm (ceiling installation)  
 Solid brass  
**Round flange**  
 1/2" female water inlet - NPT

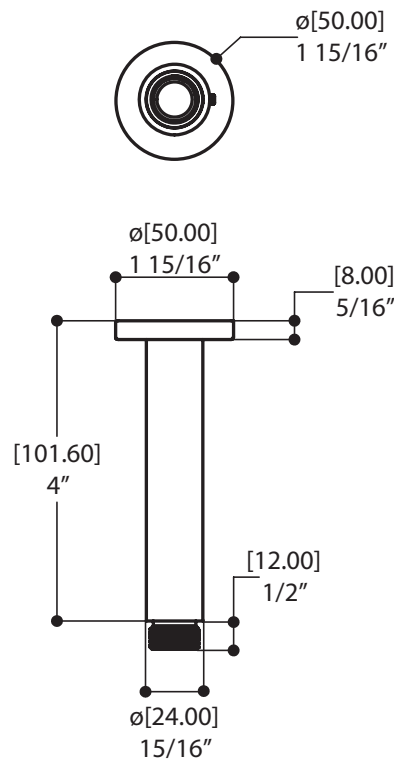
### FINISH

Polished chrome (pc)

### WARRANTY

limited lifetime warranty on the polished chrome finish. All other components and parts carry a limited five-year warranty.

### CODE & COMPLIANCE



# 9" RAINHEAD # 90813



## FEATURES

9" rainhead  
 Single function  
 Swiveling ball joint  
 Reduced water-efficient flow: 2 gpm (7.5 L/min)

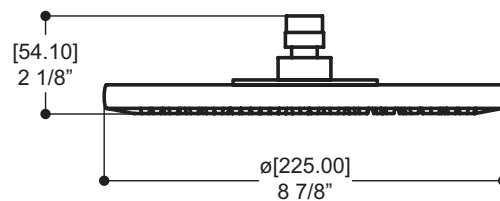
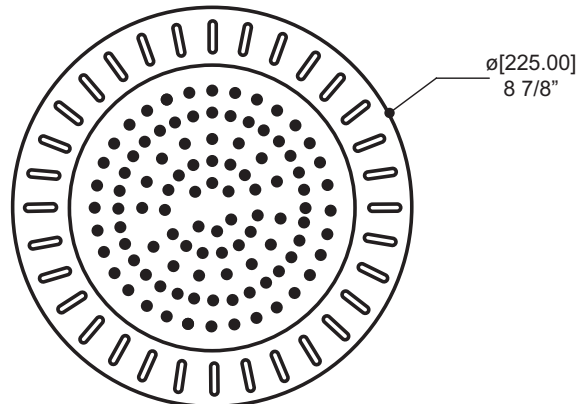
## FINISH

Polished chrome (pc)

## WARRANTY

limited lifetime warranty on the polished chrome finish. All other components and parts carry a limited five-year warranty.

## CODE & COMPLIANCE





# ROUND SHOWER RAIL

## # 90840



### FEATURES

- 31.5" stainless steel round rail with adjustable handshower support
- Top pivot position adaptable (up to 29 1/2" CC)
- Triple function round handshower (rain, massage, mist)
- 5' double interlock flexible hose, anti-torsion
- Reduced water-efficient flow: 1.75 gpm (7.5 L/min)

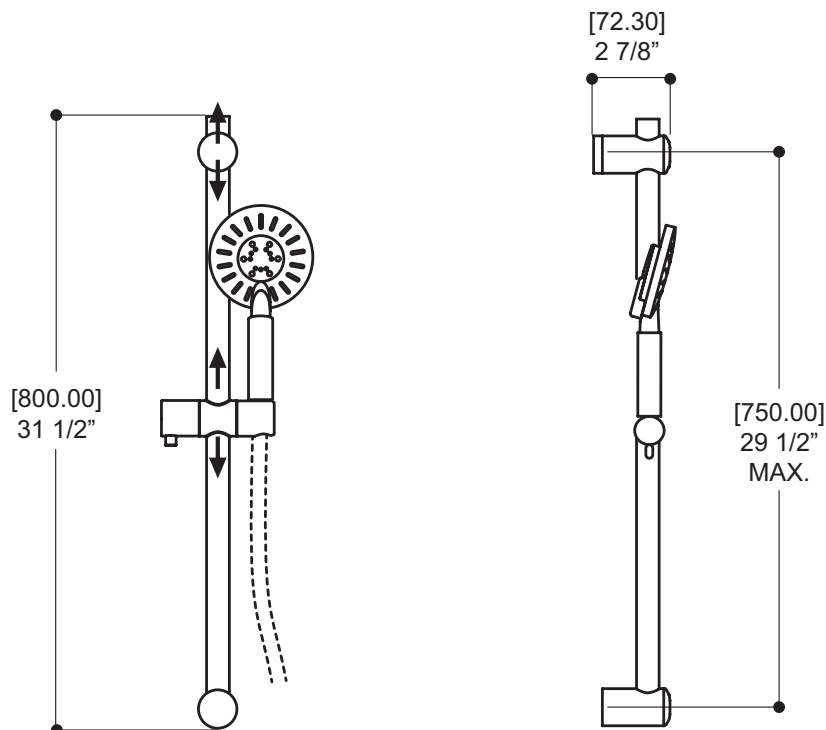
### FINISH

Polished chrome (pc)

### WARRANTY

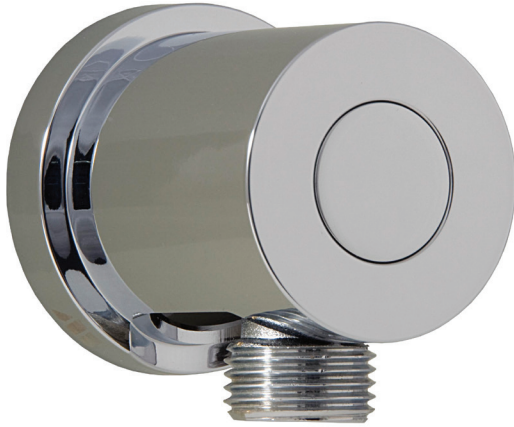
limited lifetime warranty on the polished chrome finish. All other components and parts carry a limited five-year warranty.

### CODE & COMPLIANCE



# ADJUSTABLE WATERWAY

## # 90734



### FEATURES

Innovative 5/8" trim adjustment system to elbow installation  
 1/2" female water inlet - NPT

### FINISH

Polished chrome (pc)

### WARRANTY

limited lifetime warranty on the polished chrome finish. All other components and parts carry a limited five-year warranty.

### CODE & COMPLIANCE

