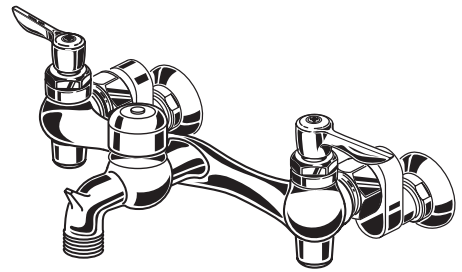


# Installation Instructions

8351.076.002

8351.076.004



Certified to comply with ANSI A112.18.1M  
M965037 REV. 1.1

## Exposed Yoke Wall Mount Utility Faucet

*Thank you for selecting American-Standard... the benchmark of fine quality for over 100 years.*

*To ensure that your installation proceeds smoothly—please read these instructions carefully before you begin.*

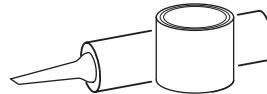
### RECOMMENDED TOOLS



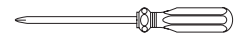
Channel Locks



Adjustable Wrench

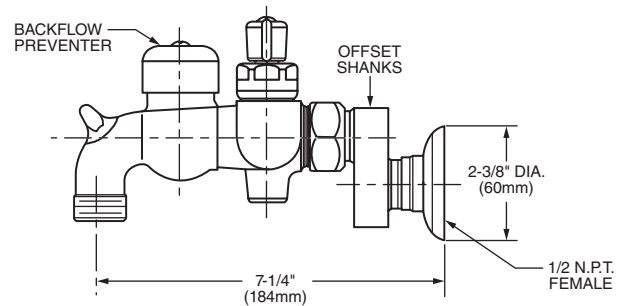
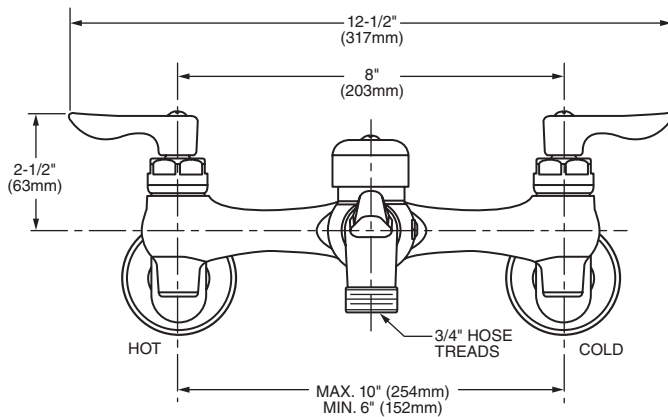


Plumbers' Putty or Caulking



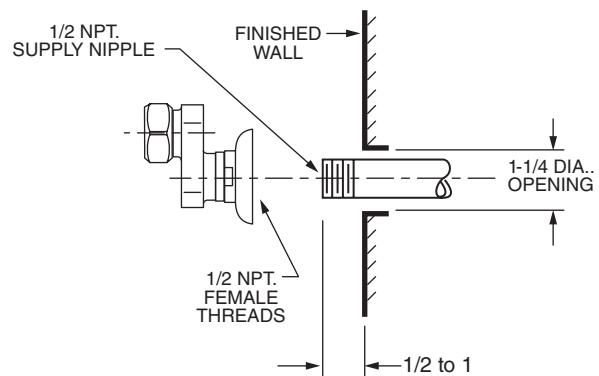
Phillips Screwdriver

### ROUGHING-IN DIMENSIONS



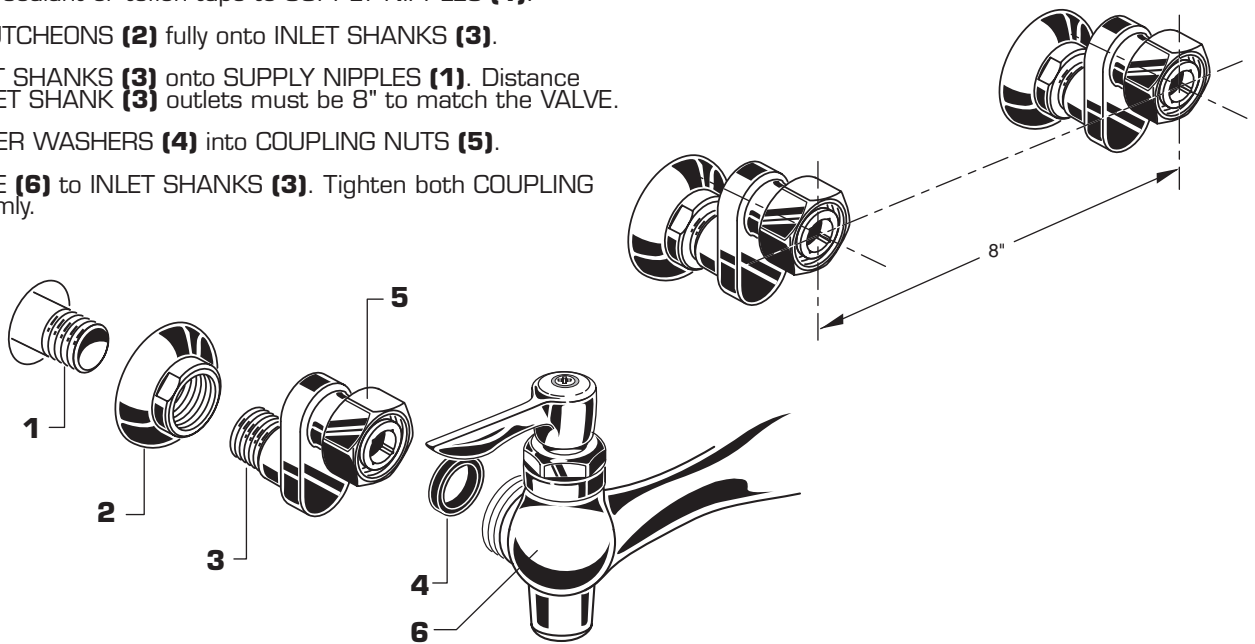
## 1 ROUGH-IN

- Prepare water supply lines per "Roughing-in Dimensions". Install 1/2" NPT. SUPPLY NIPPLES



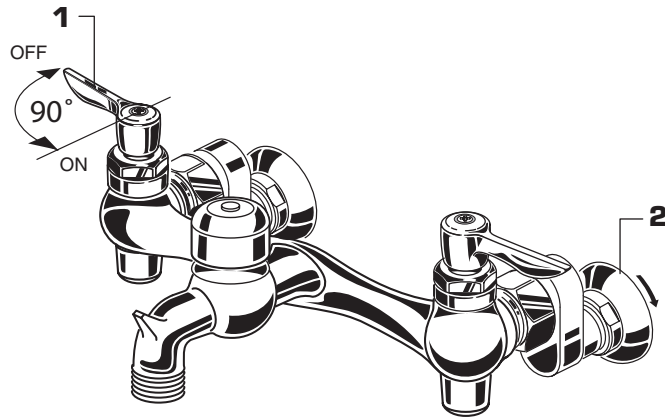
## 2 FINISH INSTALLATION

- Apply thread sealant or teflon tape to SUPPLY NIPPLES (1).
- Thread ESCUTCHEONS (2) fully onto INLET SHANKS (3).
- Thread INLET SHANKS (3) onto SUPPLY NIPPLES (1). Distance between INLET SHANK (3) outlets must be 8" to match the VALVE.
- Insert RUBBER WASHERS (4) into COUPLING NUTS (5).
- Attach VALVE (6) to INLET SHANKS (3). Tighten both COUPLING NUTS (5) firmly.



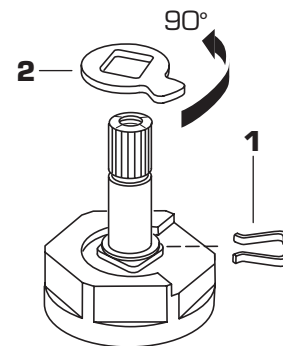
## 3 TEST FAUCET

- Turn HANDLES (1) TO OFF POSITION.
- Slowly turn water supplies on and check all connections for leaks.
- Operate HANDLES (1) to flush water lines thoroughly.
- Turn HANDLES (1) to OFF position.
- Thread ESCUTCHEONS (2) against finished wall.



## 4 SERVICE

- To change direction of handle rotation, proceed as follows:
  - Turn HANDLE to OFF position.
  - Remove HANDLE SCREW and HANDLE.
  - Remove SPRING CLIP (1).
  - Lift STOP WASHER (2), turn 90° and replace.
  - Replace SPRING CLIP (1).
  - Replace HANDLE and HANDLE SCREW.
- If spout drips, operate handles several times from OFF to ON position. Do not force - handles turn only 90°.



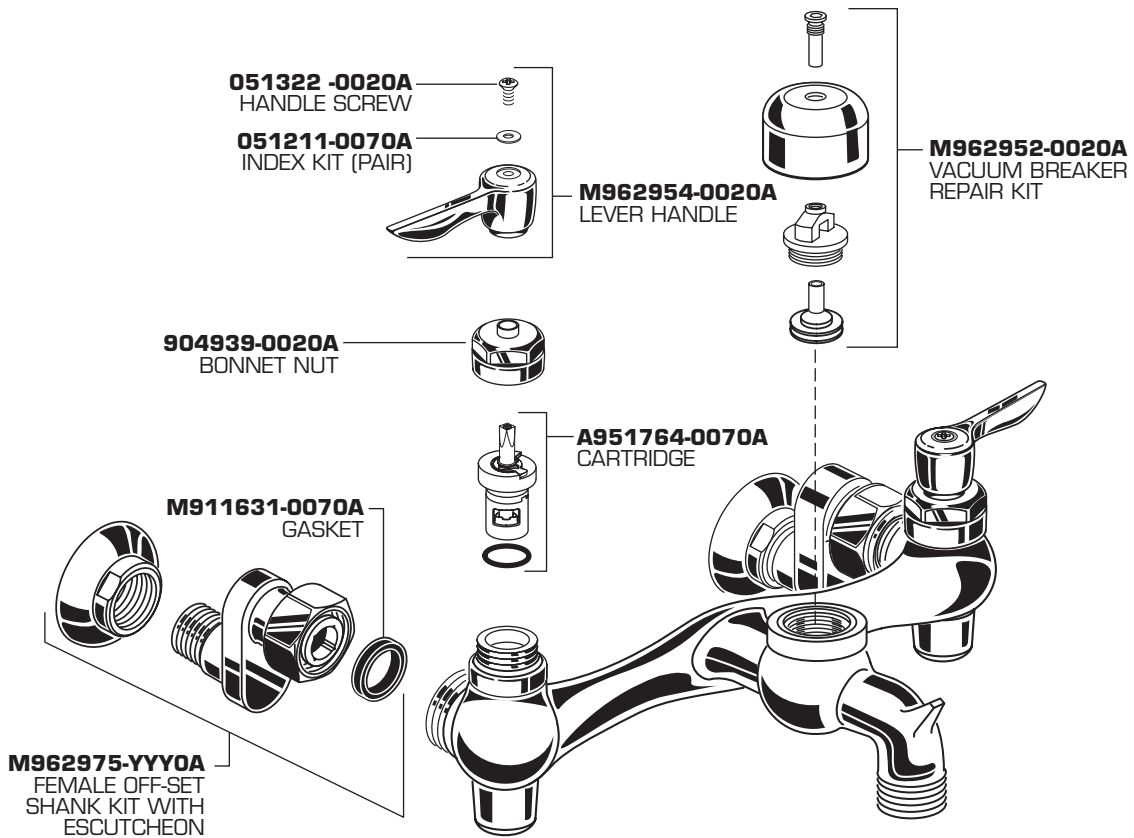
### CARE INSTRUCTIONS:

**DO: SIMPLY RINSE THE PRODUCT CLEAN WITH CLEAR WATER. DRY WITH A SOFT COTTON FLANNEL CLOTH.**  
**DO NOT: DO NOT CLEAN THE PRODUCT WITH SOAPS, ACID, POLISH, ABRASIVES, HARSH CLEANERS, OR A CLOTH WITH A COARSE SURFACE.**

**Exposed Yoke Wall Mount  
Utility Faucet**

MODEL NUMBER

**8351.076.002**  
**8351.076.004**



Replace the "YYY" with  
appropriate finish code

|              |     |
|--------------|-----|
| CHROME       | 002 |
| ROUGH CHROME | 004 |



**HOT LINE FOR HELP**

For toll-free information and answers to your questions, call:  
1-800-442-1902  
Weekdays 8:00 a.m. to 6:00 p.m. EST  
IN CANADA, 1-800-387-0369 (TORONTO 1-905-306-1093)  
Weekdays 8:00 a.m. to 7:00 p.m. EST  
IN MEXICO 01-800-839-1200

Product names listed herein are trademarks of American Standard Inc.  
© AS America, Inc. 2010