

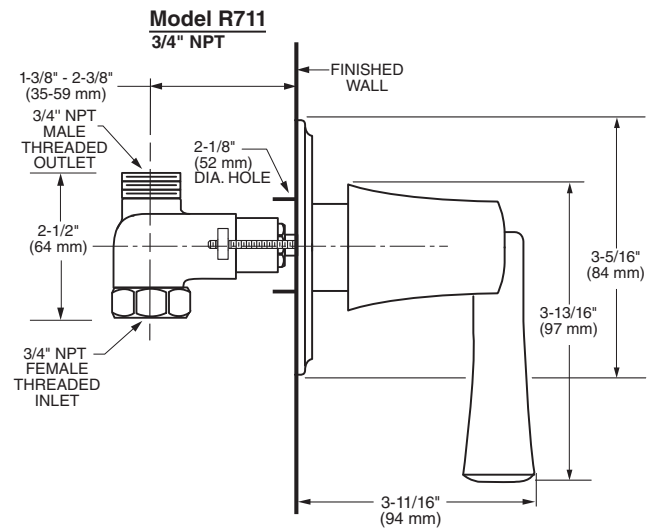
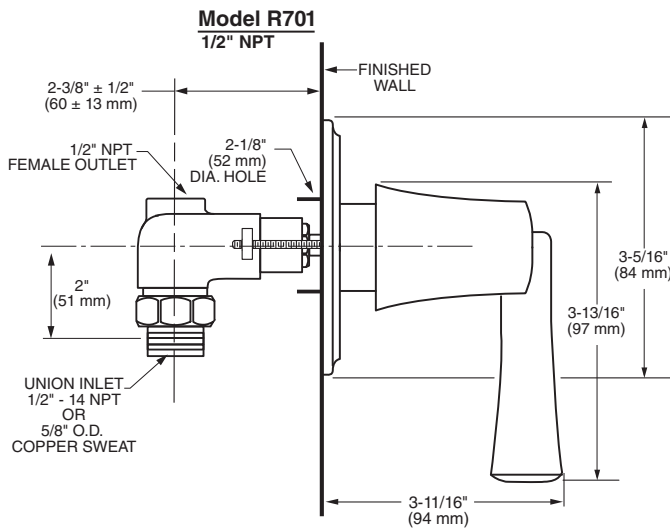
MODEL NUMBER:

TRIM KIT:

- T353.700 On/Off & Volume Control Valve Trim**
Valve trim ONLY. LESS Valve.

ROUGH VALVES:

- R701 On/Off & Volume Control Valve Rough**
1/2" inlets/outlets. LESS handle.
- R711 On/Off & Volume Control Valve Rough**
3/4" inlets/outlets. LESS handle.



GENERAL DESCRIPTION:

Cast brass valve body. Amarilis washerless ceramic disc valve cartridge. Choice of 1/2" or 3/4" NPT inlets and outlets. Trim is brass construction.

PRODUCT FEATURES:

Brass Construction: Durable - Excellent in high use applications. Ideal for prolonged contact with water.

Ceramic Disc Valve Cartridge: Assures a lifetime of drip-free performance.

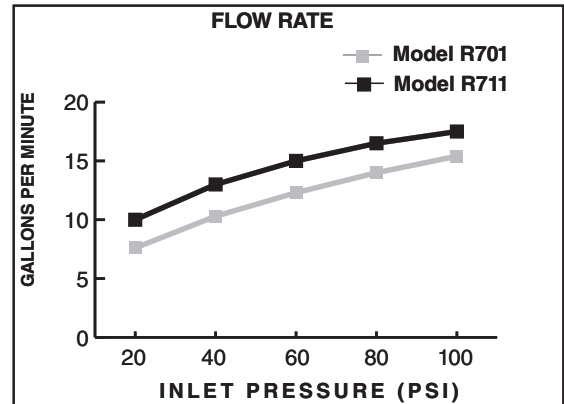
SUGGESTED SPECIFICATION


In-wall single valve shall feature a cast brass valve body. Model R701 shall feature combination 1/2" NPT threaded and direct sweat inlets. 1/2" NPT female outlet. Model R711 shall feature 3/4" female inlet. 3/4" male outlet. Shall also feature 1/4 turn washerless ceramic disc valve cartridges. Trim shall be constructed of brass. Fitting shall be American Standard Model # T353.700.____ (Trim) and R7_1 (Rough Valve Body).

CODES AND STANDARDS

These products meet or exceed the following codes and standards:

ASME A112.18.1
CSA B125.1



TRIM KITS *	Product Number	Description	* TRIM & ROUGH MUST BE ORDERED SEPARATELY.			
			Finish Options			
			Polished Chrome	PVD Polished Nickel	Legacy Bronze	PVD Satin Nickel
			002	013	278	295
	T353.700	On/Off & Volume Control Valve Trim. 				

ROUGH VALVE BODIES	Product Number	Description
	R701	In-wall single valve. 1/2" inlets/outlets. LESS handle.
	R711	In-wall single valve. 3/4" inlets/outlets. LESS handle.

 Meets the American Disabilities Act Guidelines and **ANSI A117.1** Requirements for the physically challenged.