

CADET® EVERCLEAN®
OVAL DROP IN SINK

- 0419.444EC** Faucet holes on 4" (102mm) centers
- 0419.888EC** Faucet holes on 8" (203mm) centers (illustrated)
 - European-styled interior bowl
 - Made from vitreous china
 - Super smooth EverClean surface keeps dirt and toiletries from accumulating and inhibits the growth of stain and odor causing bacteria, mold, and mildew on the surface
 - Self-rimming with cutout template supplied
 - Front overflow

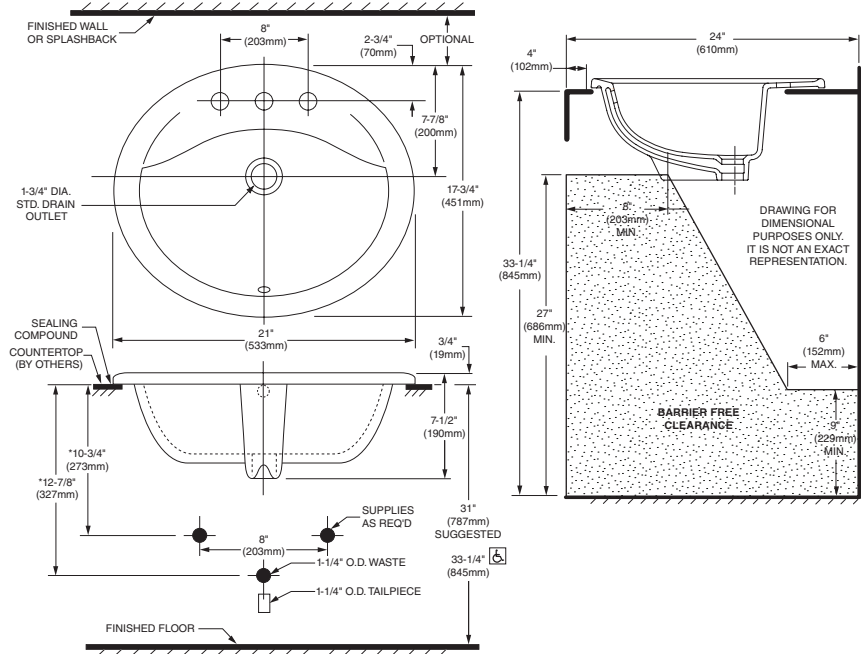


Nominal Dimensions:
 21" x 17-3/4"
 (533 x 451mm)

Bowl sizes:
 16-1/2" (419mm) wide
 11" (279mm) front to back
 5-5/8" (143mm) deep

Compliance Certifications -
Meets or Exceeds the
Following Specifications:

- ASME A112.19.2 - 2008/CSA B45.1-08




To Be Specified:

- Color: White Bone Linen
- Faucet*:
- Faucet Finish:
- Supplies:
- 1-1/4" Trap:

* See faucet section for additional models available

NOTES:
 * DIMENSIONS SHOWN FOR LOCATION OF SUPPLIES AND "P" TRAP ARE SUGGESTED.
 FOR COUNTERTOP CUTOUT AND INSTALLATION INSTRUCTIONS USE TEMPLATE SUPPLIED WITH SINK.
 FITTINGS NOT INCLUDED WITH FIXTURE AND MUST BE ORDERED SEPARATELY.
 SEALING COMPOUND SUPPLIED BY OTHERS.

IMPORTANT: Dimensions of fixtures are nominal and may vary within the range of tolerances established by ANSI Standard A112.19.2. These measurements are subject to change or cancellation. No responsibility is assumed for use of superseded or voided pages.

 **MEETS THE AMERICANS WITH DISABILITIES ACT GUIDELINES AND ICC ANSI A117.1 ACCESSIBLE AND USABLE BUILDINGS AND FACILITIES - CHECK LOCAL CODES.**
 Install lavatory 864mm (34") from finished floor.
 Lavatory installed 51mm (2") minimum from front edge of countertop provides 686mm (27") knee clearance area.