

MODEL NUMBER:

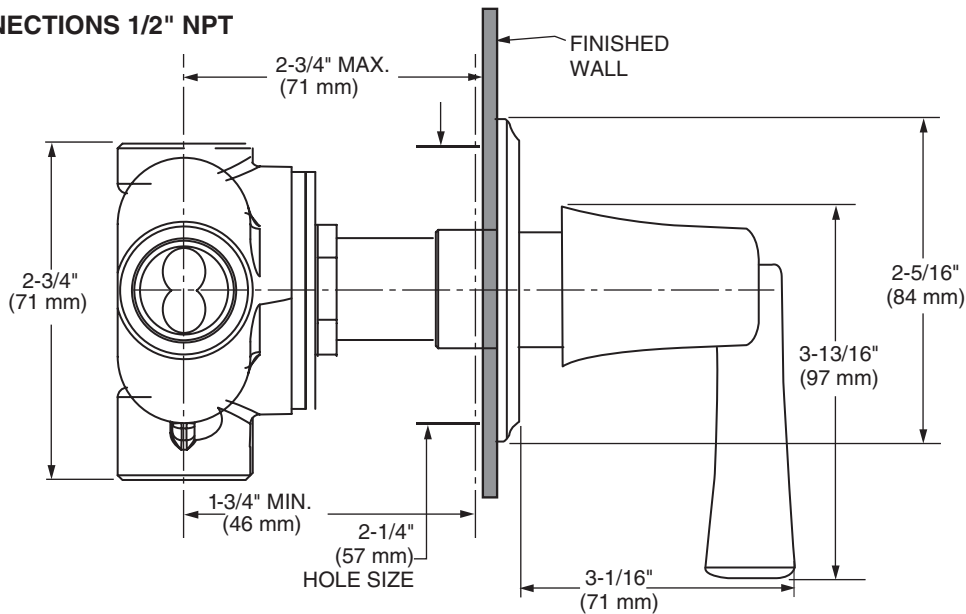
TRIM KIT:

- ❑ **T353.430 Diverter Valve Trim**
Valve trim ONLY. LESS Valve.

ROUGH VALVES BODIES:

- ❑ **R422 Two-Way In-Wall Diverter Valve Rough (Discrete)**
1/2" NPT inlets/outlets. 2 Discrete functions. LESS trim.
- ❑ **R422S Two-Way In-Wall Diverter Valve Rough (Shared)**
1/2" NPT inlets/outlets. 2 Discrete/1 Shared functions. LESS trim.
- ❑ **R433 Three-Way In-Wall Diverter Valve Rough (Discrete)**
1/2" NPT inlets/outlets. 3 Discrete functions. LESS trim.
- ❑ **R433S Three-Way In-Wall Diverter Valve Rough (Shared)**
1/2" NPT inlets/outlets. 3 Discrete/3 Shared functions. LESS trim.

ALL CONNECTIONS 1/2" NPT



GENERAL DESCRIPTION:

In-Wall Diverter: Rotational control alternates water flow between two (R422/R422S) or three (R433/R433S) different shower outlets (i.e. showerhead, handspray, body side spray or tub spout). Forged brass valve body. Mixed water inlet and two (R422/R422S) or three (R433/R433S) outlets are marked on back of valve body. 1/2" NPT connections on mixed water inlet and two (R422/R422S) or three (R433/R433S) outlets. Stamped brass escutcheon. Tub port with increased water flow (see chart).

NOTE: Cannot be used as a shut-off valve.

PRODUCT FEATURES:

Solid Brass Construction: Durable, ideal material for prolonged contact with water.

Removable Plaster Guard: Permits checking of valve installation prior to installing trim parts.

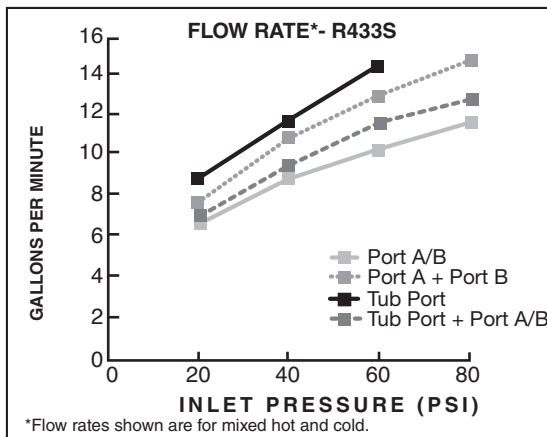
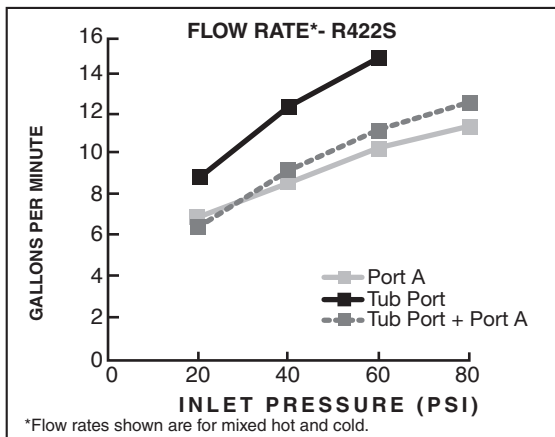
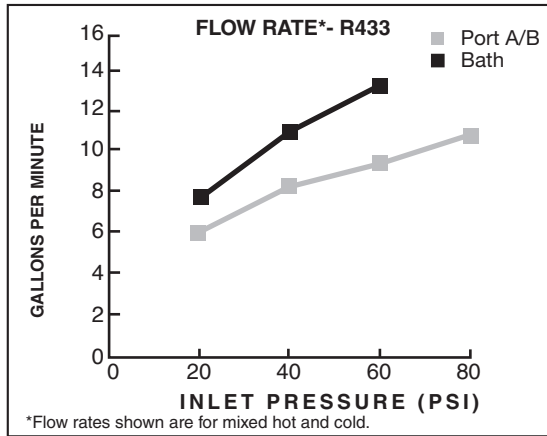
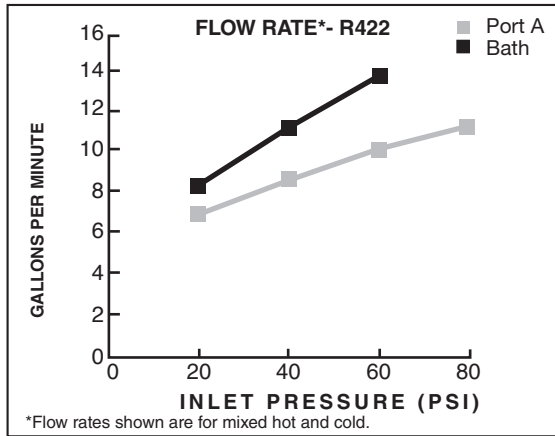
SUGGESTED SPECIFICATION


Two (three) way diverter shall feature a forged brass body with 1/2" NPT mixed water inlet and outlets. Fitting shall be American Standard Model # T353.430.____ (Diverter Valve Trim) and R4____. (Rough Valve Body).

CODES AND STANDARDS

These products meet or exceed the following codes and standards:

ASME A112.18.1



TRIM KITS *	Product Number	Description	* TRIM & ROUGH MUST BE ORDERED SEPARATELY.				Finish Options			
							Polished Chrome	PVD Polished Nickel	Legacy Bronze	PVD Satin Nickel
							002	013	278	295
	T353.430	Diverter Valve Trim. LESS valve.								

ROUGH VALVE BODIES	Product Number	Description
	R422	Two-Way In-Wall Diverter. 2 Discrete functions. LESS trim.
	R422S	Two-Way In-Wall Diverter. 2 Discrete/1 Shared functions. LESS trim.
	R433	Three-Way In-Wall Diverter. 3 Discrete functions. LESS trim.
	R433S	Three-Way In-Wall Diverter. 3 Discrete/3 Shared functions. LESS trim.

 Meets the American Disabilities Act Guidelines and ANSI A117.1 Requirements for the physically challenged.