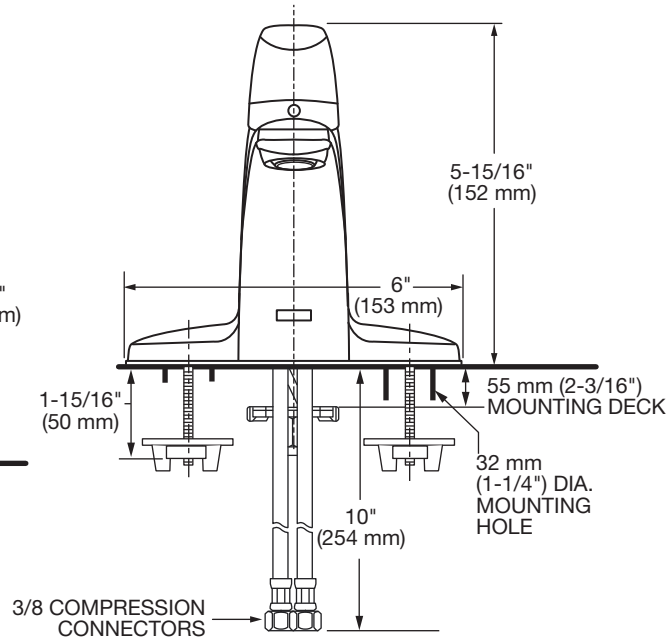
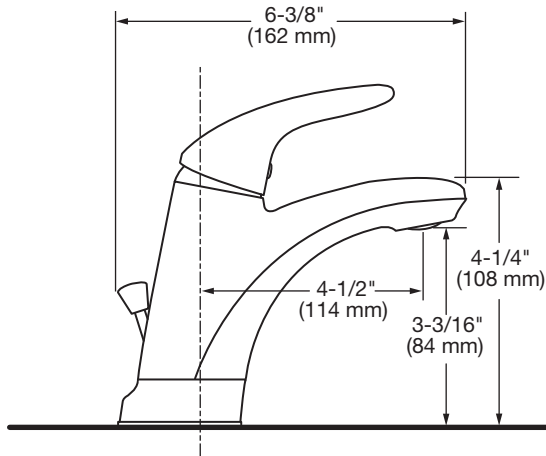


7075.050 Shown



**GENERAL DESCRIPTION:**

Metal body with metal lever handle. Washerless 35 mm ceramic disc valve cartridge with integral hot limit safety stop. Braided color-coded flexible supply hoses with 3/8" compression connections. Pressure compensating vandal resistant spray with 0.5 gpm/1.9 L/min. maximum flow rate.

**PRODUCT FEATURES:**

- Pressure Compensating Spray:** Provides a constant water flow of 0.5 gpm throughout the pressure range.
- Ceramic Disc Valve Cartridge:** Assures smooth, precise valve control and a lifetime of drip-free, maintenance-free performance.
- Adjustable Hot Limit Safety Stop:** Limits the amount of hot water allowed to mix with cold. Reduces the risk of accidental scalding.
- Lead Free:** Faucet contains ≤ 0.25% total lead content by weighted average.
- Simple One-Person Installation:** Faucet drops in from top. Quick spin nuts secure faucet in place.

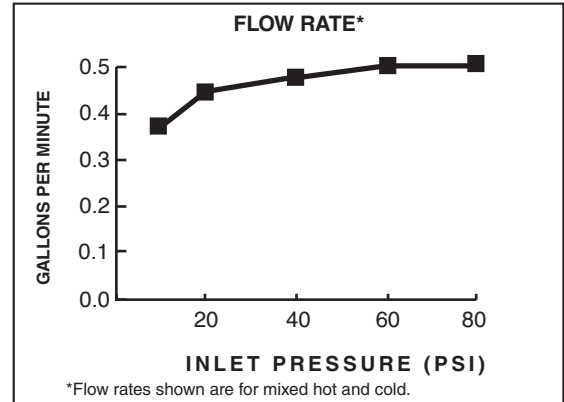
**SUGGESTED SPECIFICATION**

Single control lavatory fitting shall feature a metal body with metal lever handle. Shall feature flexible hose connections. Shall also feature a washerless ceramic disc valve cartridge with integral hot limit safety stop. Shall feature water conserving vandal resistant 0.5 gpm/1.9 L/min. pressure compensating spray. Fitting shall be American Standard Model # 7075.....

**CODES AND STANDARDS**

These products meet or exceed the following codes and standards:

- ANSI A117.1**
- ASME A112.18.1**
- CSA B125.1**
- NSF 61/Section 9**
- NSF 372**



Product Number	Description		Finish Option
			Polished Chrome
			002
7075.050	Colony PRO Single Control Centerset. Metal lever handle. Metal pop-up drain. 0.5 gpm pressure compensating vandal resistant spray.		
7075.054	Colony PRO Single Control Centerset. Metal lever handle. LESS drain. LESS pop-up hole & rod. 0.5 gpm pressure compensating vandal resistant spray.		
7075.055	Colony PRO Single Control Centerset. Metal lever handle. LESS drain. With pop-up hole & rod. 0.5 gpm pressure compensating vandal resistant spray.		
7075.056	Colony PRO Single Control Centerset. Metal lever handle. Grid drain. 0.5 gpm pressure compensating vandal resistant spray.		

Meets the American Disabilities Act Guidelines and **ANSI A117.1** Requirements for the physically challenged.