

Item # 25090

STAINLESS STEEL DROP-IN KITCHEN SINK

31¹/₄" x 20³/₈" x 7"
(794*518*178mm)



DESIGN FEATURES

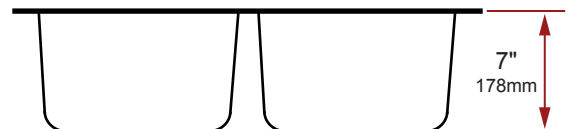
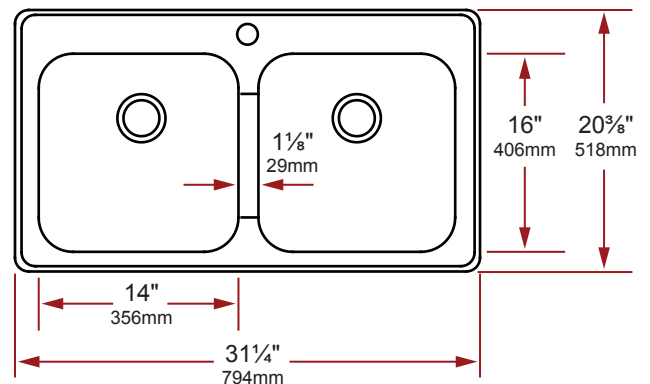
- Resilient and easy-to-clean Brushed Satin finish.
- Double bowls with rounded corners.
- Raised rim profile to guard against counter spills.
- Partition between bowls guards against spillovers.
- Installation clamps provided for quick & easy installation.
- Latex based undercoating helps damper sounds and vibrations.
- 3¹/₂" drain opening.

PRODUCT SPECIFICATIONS

- Model: PC-D341
- Fabricated from type 304, 19 gauge stainless steel.
- Constructed from 18/9 chrome/nickel content stainless steel for durability and superior longevity.
- Net sink weight: 18 lbs.
- Minimum cabinet size required: 36"
- Integral faucet hole.
- Included with sink:
 - 3¹/₂" stainless steel strainer(s)
 - Installation clamps
 - Cut-out template
- 1 year limited manufacturer's warranty included.

SINK DIMENSIONS

- Diagrams not to scale.
- All measurements $\pm 1/4$ ".



This sink complies with CSA Standards

In keeping with our policy of continuing product improvement, Acri-Tec Industries Corp. reserves the right to change product specifications without notice.