

Item # 25160

STAINLESS STEEL DROP-IN KITCHEN SINK

38" x 19⁵/₈" x 10¹/₄"
(965*500*260mm)



DESIGN FEATURES

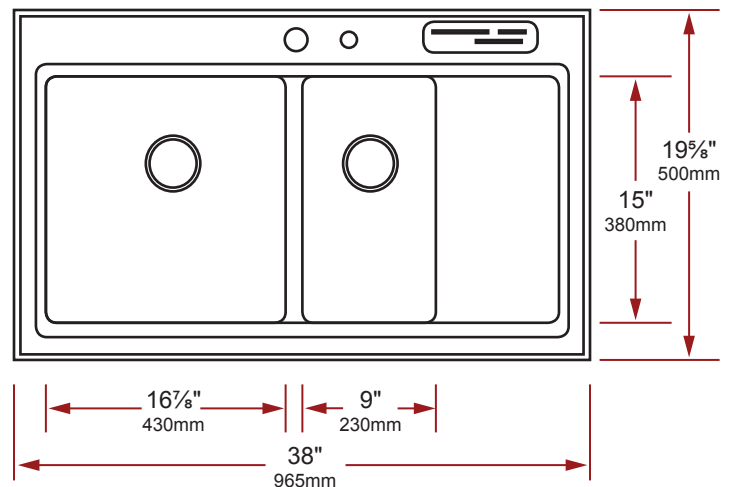
- Resilient and easy-to-clean Brushed Satin finish.
- Double bowls with small radius (R10mm) corners and a raised inner bowl shelf.
- Raised rim profile to guard against counter spills.
- Accessories included: soap dispenser, chopping board, colander and knife set.
- Installation clamps provided for quick & easy installation.
- Large polymer sound deadening pads minimize sounds and vibrations.
- 3¹/₂" drain opening.

PRODUCT SPECIFICATIONS

- Model: n/a
- Fabricated from type 304, 18 gauge stainless steel.
- Constructed from 18/8 chrome/nickel content stainless steel for durability and superior longevity.
- Net sink weight: 15 lbs.
- Minimum cabinet size required: 42"
- Integral faucet hole.
- Included with sink:
 - 3¹/₂" stainless steel strainer(s)
 - Accessories
 - Installation clamps
 - Cut-out template
- 1 year limited manufacturer's warranty included.

SINK DIMENSIONS

- Diagrams not to scale.
- All measurements ±1/4".



In keeping with our policy of continuing product improvement, Acri-Tec Industries Corp. reserves the right to change product specifications without notice.