

## Item # 36905

### OVAL PORCELAIN UNDERMOUNT BATHROOM BASIN

### 17<sup>3</sup>/<sub>4</sub>" x 15" x 7<sup>1</sup>/<sub>4</sub>"



#### DESIGN FEATURES

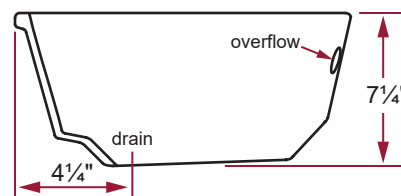
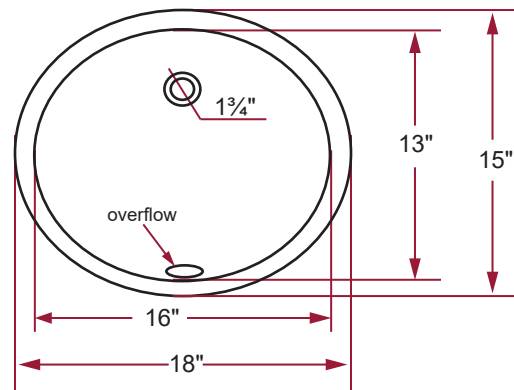
- Cast to ensure exceptional strength as well as long term durability.
- Forged from a proprietary blend of clays to create an ideal product for new homes or bathroom renovations.
- Unique, easy-to-clean coating helps to seal the sink against bacteria and microbes and provides a durable gloss finish.

#### PRODUCT SPECIFICATIONS

- Available in white.
- Oval bowl with sloped sides.
- Overflow located at the front of the sink.
- Net sink weight: 12 lbs.
- Minimum cabinet size required: 21"
- Allow sufficient space for a faucet (not included).
- Installation brackets sold separately. Item # 04000.
- 1 year limited manufacturer's warranty included.

#### SINK DIMENSIONS

- Diagrams not to scale.
- All measurements  $\pm 1/4$ ".



#### COUNTERTOP CUT-OUT:

- The cut-out template is provided as a **guide only** and should be checked against the actual sink to determine correct fit.
- It is recommended that **the hole for the sink be cut 1/2" x 1/2" smaller than the inside bowl dimensions.**



This sink complies with CSA Standards

In keeping with our policy of continuing product improvement, Acri-Tec Industries Corp. reserves the right to change product specifications without notice.