

**Item # 41066 (LH)**  
**41068 (RH)**

## ROBSON II ACRYLIC SKIRTED BATHTUB

**60" x 32" x 20"**



### DESIGN FEATURES

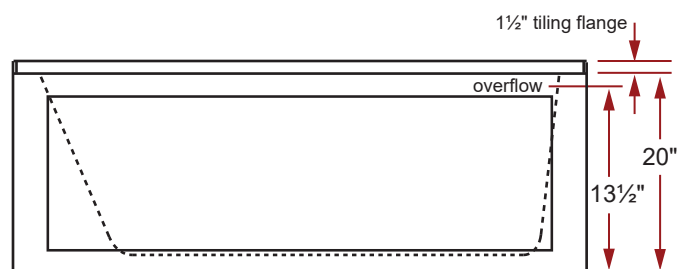
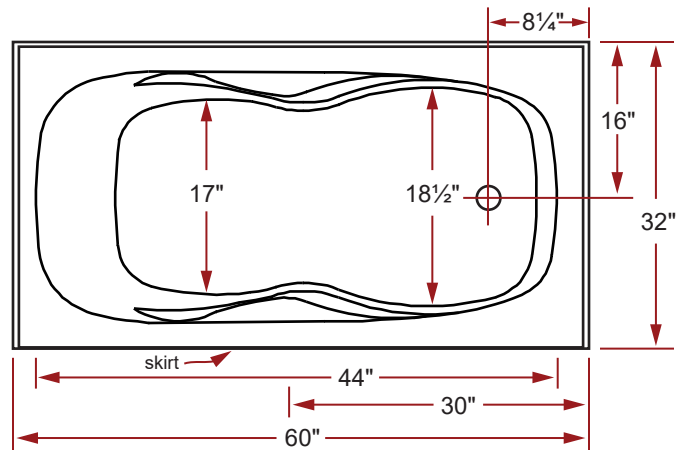
- Designed for alcove installations.
- Available in both left end drain (LH) or right end drain (RH).
- Gently sloping back and arm rests.
- Lightly textured interior bottom.
- Available upgrades:
  - Water and/or air jetting systems.
  - Item # 02000 - Remove front skirt.
  - Item # 02010 - Remove skirt and install wooden panel for tiling (standard 1/2" setback).

### PRODUCT SPECIFICATIONS

- 100% acrylic with fibreglass and wood reinforcement.
- Leveling feet included.
- Integral 1 1/2" double tiling flange.
- Available in white.
- Contoured interior with rectangular skirt design.
- Drain hole = 2" (drain not included)
- Overflow hole = 2 1/4" (overflow not included)
- Faucets sold separately.
- 1 year limited manufacturer's warranty included.

### DIMENSIONS

- Diagrams not to scale.
- All measurements  $\pm 1/4$ ".



This product complies with CSA Standards

In keeping with our policy of continuing product improvement, Acri-Tec Industries Corp. reserves the right to change product specifications without notice.