

ACRI-TEC

BATHTUBS, DROP IN

42354

60" x 36" x 20"

DENMARK



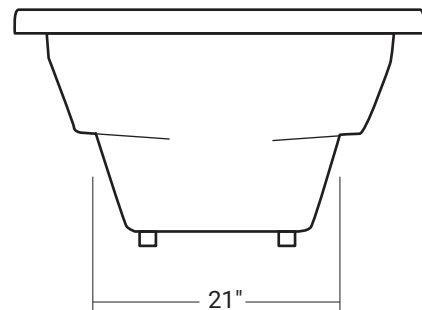
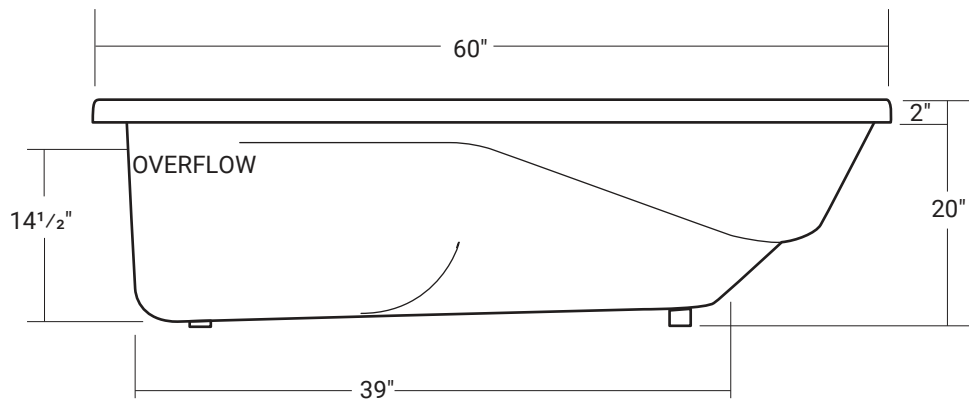
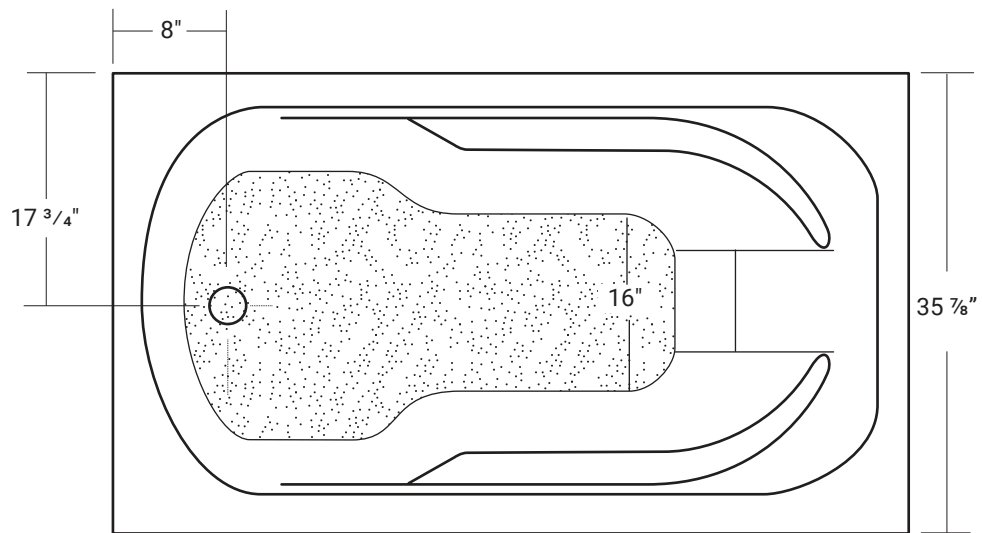
ACRI-TEC

BATHTUBS, DROP IN

42354

60" x 36" x 20"

DENMARK



REV. 8/18/2016

*Drawings are not to scale

*All measurements are $\pm 1/4$ "

In keeping with our policy of continuing improvement, Acri-tec industries Corp. reserves the right to change product specifications without notice.

Acri-tec Industries Corp.



Toll free: 1 (877) 464-3100 e-mail: sales@acritec.com www.acritec.com

ACRI-TEC

BATHTUBS, DROP IN

42354

60" x 36" x 20"

DENMARK

PRODUCT SPECIFICATIONS

- 100% Acrylic with fibreglass reinforcement.
- Available in white.
- Drain hole =2" (drain not included).
- Overflow hole =2¼" (overflow not included).
- Water capacity = approx. 208 liters.
- 1 Year limited manufacturer's warranty included.

DESIGN FEATURES

- Designed for drop in installations.
- Jet pocket.
- Gently sloping back and arm rests.

AVAILABLE UPGRADES

- Water and or air jetting systems.
- Comfortwarm™ heated lumbar /backrest.
- Chromotherapy lights.



COMFORT
WARM



CHROMA
THERAPY



WATER JET



AIR JET



100%
ACRYLIC

ACCESSORIES AND UPGRADES	ITEM No.
Chromotherapy Lights	01020
Lateral Air jets, White	00021
Lateral Air jets, Chrome	00024
Illusion Air jets, White	00031
Inline Whirlpool Heater	00171
ComfortWarm™ Heated Backrest	01040