



LOUNGE (44225)

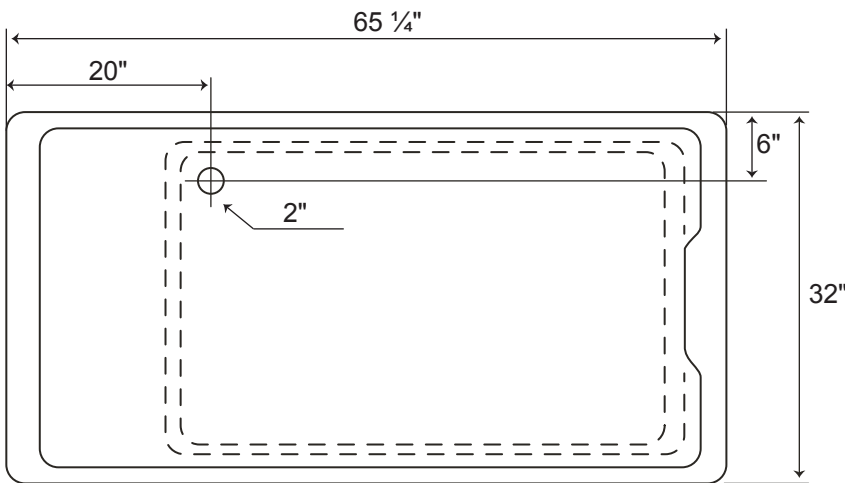
65 ¼" x 32" x 21 ¾"
(1657 x 813 x 552mm)

The LOUNGE is made from 100% acrylic with fibre-glass reinforcement for added strength and durability. It can be equipped with air blower or hydro systems.

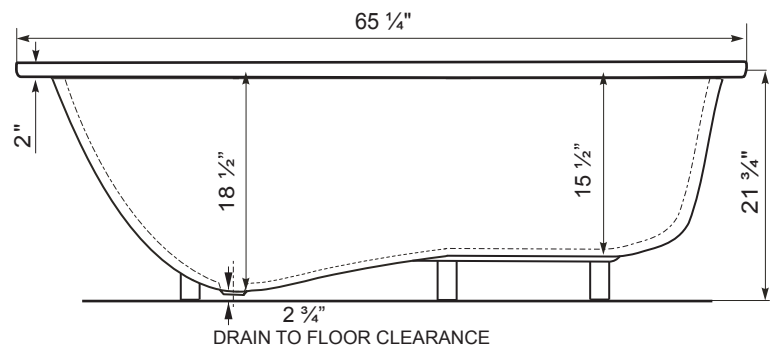
Featuring 22" in depth from the deck of the tub to the floor, the LOUNGE allows bathers to fully submerge themselves for a more pleasurable bathing experience.

* Water & Air jet packages are not included in the base model of this bathtub
*Pillow sold separately

Drain Hole: 2"
Overflow: 2 ¼"
Sizes: + ¼"
Diagram not to scale



TOP VIEW



FRONT VIEW



This bathtub complies with CSA Standards

In keeping with our policy of continuing product improvement, Acri-Tec Industries Corp., reserves the right to change product specifications without notice.