

ACRITEC

BATHTUBS, ACRYLIC FREE-STANDING

44343

59 7/8" x 31 7/8" x 23 5/8"

MARLO



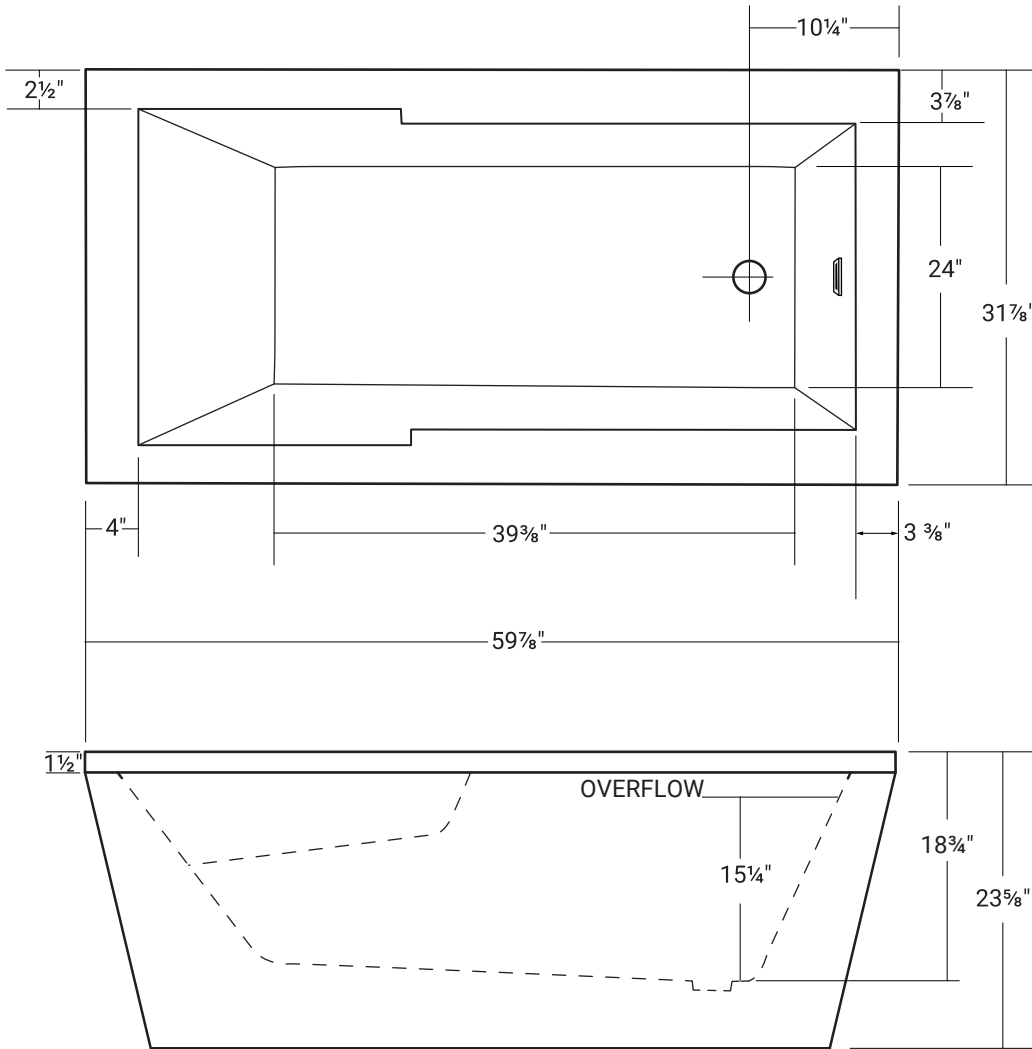
ACRITEC

BATHTUBS, ACRYLIC FREE-STANDING

44343

59 7/8" x 31 7/8" x 23 5/8"

MARLO



REV. 8/20/2018

*Drawings are not to scale

*All measurements are $\pm 1/4"$

In keeping with our policy of continuing improvement, Acritec Industries Corp. reserves the right to change product specifications without notice.

Acritec Industries Corp.



Toll free: 1 (877) 464-3100 e-mail: sales@acritec.com www.acritec.com

ACRITEC

BATHTUBS, ACRYLIC FREE-STANDING

44343

59 7/8" x 31 7/8" x 23 5/8"

MARLO

PRODUCT SPECIFICATIONS

- Available in white.
- Rectangular shaped interior and surrounding skirt.
- Bathtub is shipped fully assembled with a chrome waste & rectilinear overflow assembly included. Drain assembly is not installed.
- End drain.
- Drain hole = 2"
- Water capacity: approximately 50 US gallons.
- Faucet sold separately.
- 1 year limited manufacturer's warranty included..

DESIGN FEATURES

- Two-piece acrylic soaker bathtub.
- Gently sloping backrest.
- Deep bathing well.
- Integral faucet deck.

AVAILABLE UPGRADES

- Water and or air jetting systems.
- Comfortwarm™ heated Lumbar /backrest.



ACCESSORIES AND UPGRADES	ITEM No.
ComfortWarm™ Heated Backrest	01040-01