

# ACRITEC

BATHTUBS, FREE STANDING

44407

67" x 33<sup>1</sup>/<sub>2</sub>" x 23<sup>5</sup>/<sub>8</sub>"

## CLARICE



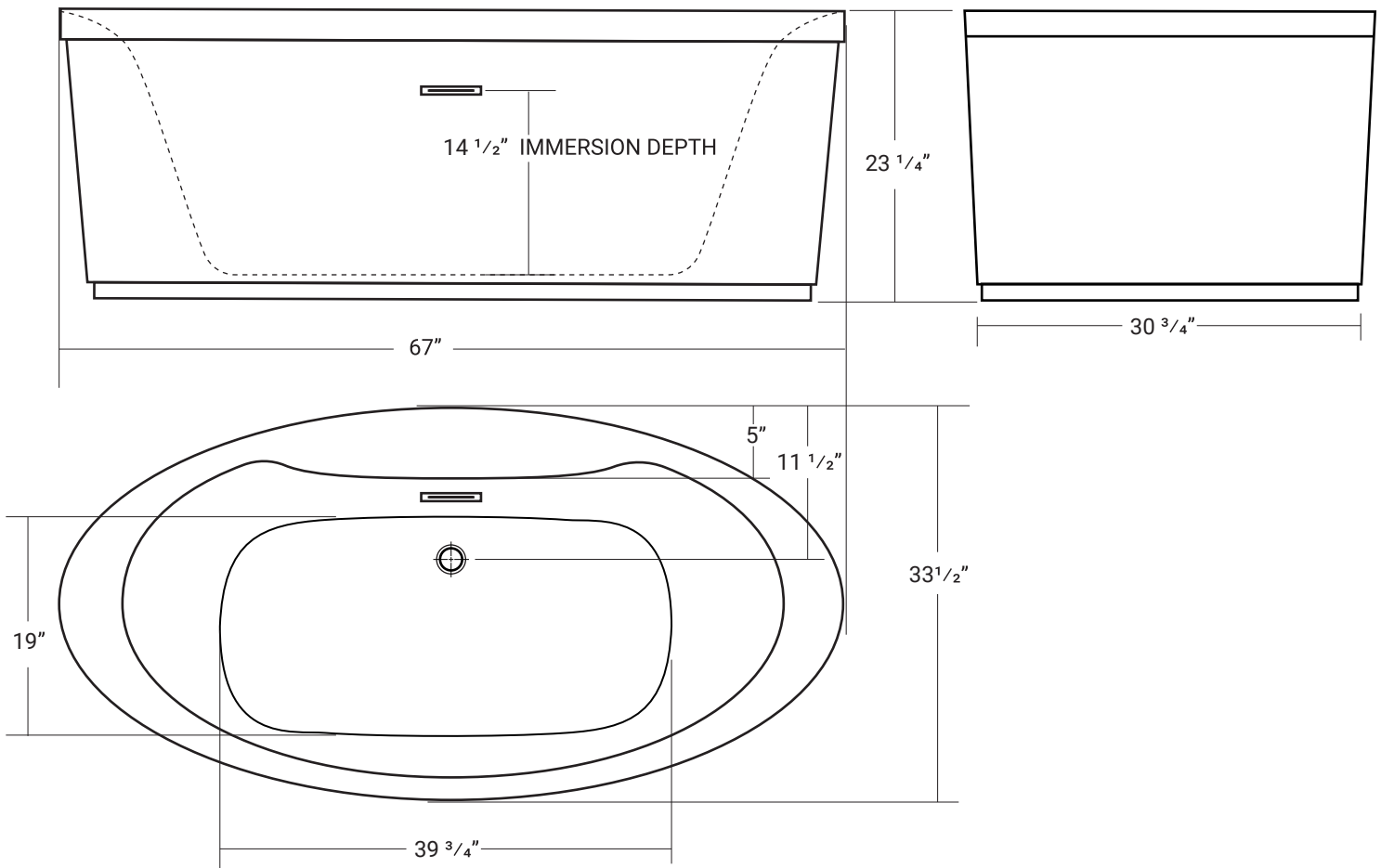
# ACRITEC

BATHTUBS, FREE STANDING

44407

67" x 33<sup>1</sup>/<sub>2</sub>" x 23<sup>5</sup>/<sub>8</sub>"

## CLARICE



REV. 5/29/2018

\*Drawings are not to scale

\*All measurements are ±1/4"

In keeping with our policy of continuing improvement, Acri-tec industries Corp. reserves the right to change product specifications without notice.

Acri-tec Industries Corp.



Toll free: 1 (877) 464-3100 e-mail: sales@acritec.com www.acritec.com

# ACRITEC

BATHTUBS, FREE STANDING

44407

67" x 33<sup>1</sup>/<sub>2</sub>" x 23<sup>5</sup>/<sub>8</sub>"

## CLARICE

### PRODUCT SPECIFICATIONS

- 100% Acrylic with fibreglass and wood reinforcement.
- Levelling feet included.
- Available in white.
- Faucets sold separately.
- 1 Year limited manufacturer's warranty included.
- Includes integral, rectangular overflow. Drain assembly not installed.
- Two piece freestanding bathtub.
- Ships disassembled for easier on-site handling.

### AVAILABLE UPGRADES

- Comfortwarm™
- Chromotherapy