

ACRITEC

BATHTUBS, SKIRTED

LH 44601

59" x 32 1/4" x 23"

SIMPLICITY NICHE *LH*



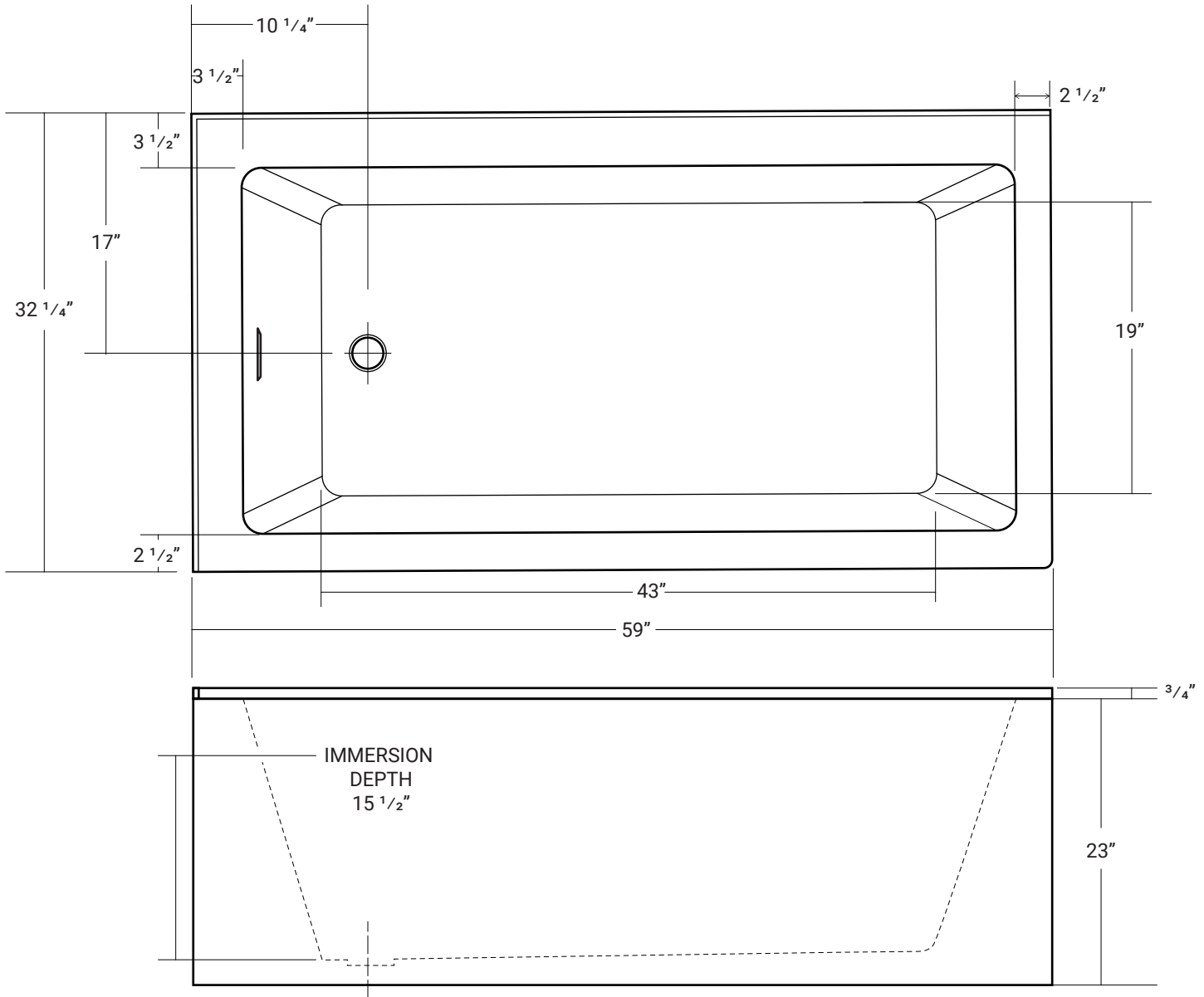
ACRITEC

BATHTUBS, SKIRTED

LH 44601

59" x 32 1/4" x 23"

SIMPLICITY NICHE *LH*



LH DRAIN /CORNER SHOWN

REV. 11/26/2019

*Drawings are not to scale

*All measurements are $\pm 1/4"$

In keeping with our policy of continuing improvement, Acritec Industries Corp. reserves the right to change product specifications without notice.

Acritec Industries Corp.



Toll free: 1 (877) 464-3100 e-mail: sales@acritec.com www.acritec.com

ACRITEC

BATHTUBS, SKIRTED

LH 44601

59" x 32 1/4" x 23"

SIMPLICITY NICHE *LH*

PRODUCT SPECIFICATIONS

- 100% Acrylic with fibreglass and wood reinforcement.
- Available in white.
- Minimalist, rectilinear interior.
- Drain hole =2" (chrome clicker style included).
- Integral overflow channel.
- Integral tiling flange.
- Adjustable levelling feet.
- 1 Year limited manufacturer's warranty included.
- Water capacity = Approx. 63 US Gallons.



DESIGN FEATURES

- Designed for corner installations.
- End drain.
- Rectangular chrome overflow cover.
- Seamless one-piece design.
- Open rear and wall side panels for ease of installation.
- Available in both left end drain (LH) or right end drain (RH).



COMFORT
WARM™



CHROMA
THERAPY



WATER JET



AIR JET



100%
ACRYLIC

ACCESSORIES AND UPGRADES	ITEM No.
Chromotherapy lights	01020
Lateral air jets, white	00021
Lateral air jets, chrome	00024
Illusion air jets, white	00031
Inline whirlpool heater	00171
ComfortWarm™ heated backrest	01040