



DEGAS (46055)

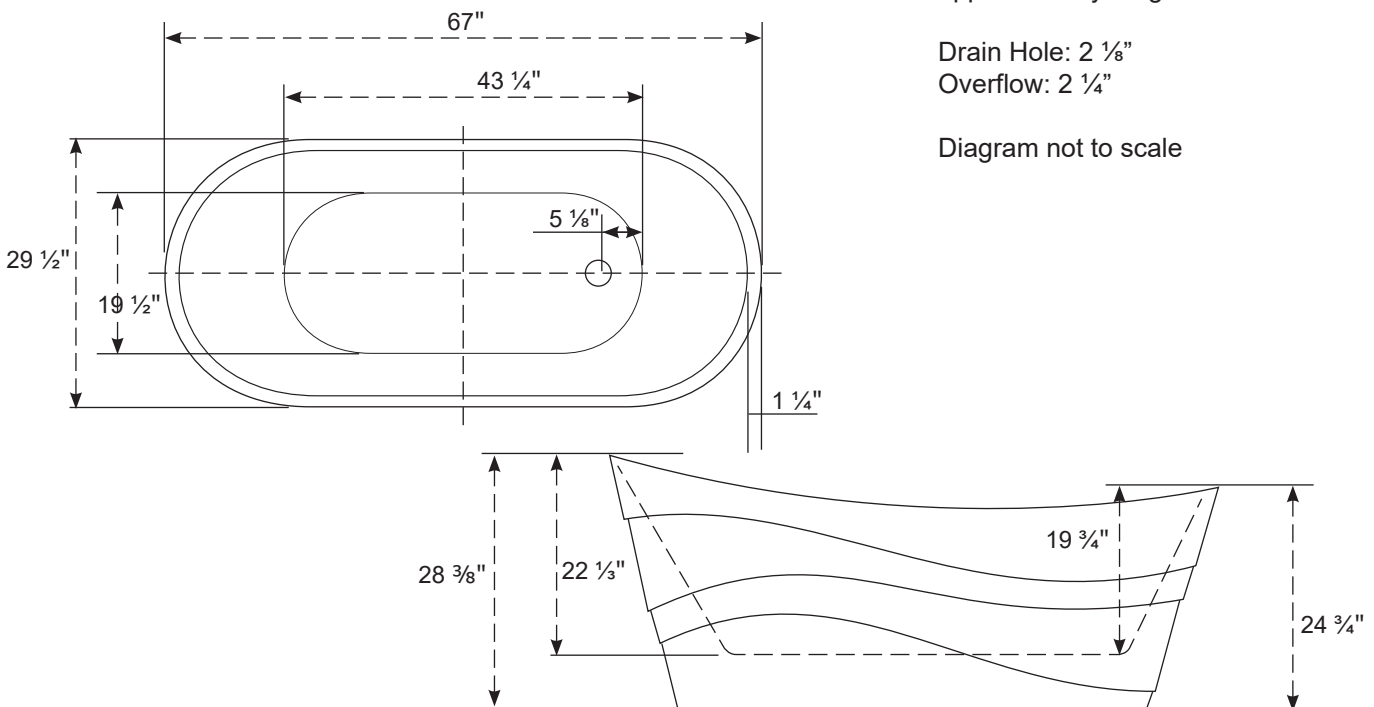
67" x 29 1/2" x 28 3/8"
(1700 x 750 x 720mm)

The DEGAS is a seamless, one-piece acrylic free-standing bathtub.

This bath is shipped with a chrome waste & overflow. A brushed nickel waste & overflow is available as an upgrade. The drain assembly is not installed.

The drain is a direct flow through design for quick draining & easy installation. It is recommended to have access to the underside of the bath to complete the installation.

DIMENSIONS



The DEGAS can hold up to approximately 60 gallons of water.

Drain Hole: 2 1/8"
Overflow: 2 1/4"

Diagram not to scale



Our products adhere to one or more of these certifications:

Diagram not to scale
Sizes: ± 1/4"

In keeping with our policy of continuing product improvement, Acri-Tec Industries Corp. reserves the right to change product specifications without notice.