

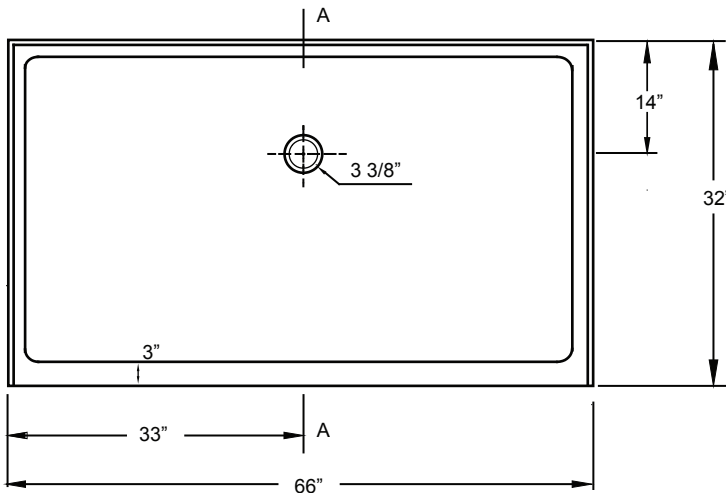
63472

66" x 32" Single Threshold Shower Base (Low Profile)



*Note: Shower base may not be exactly as pictured
*1 year limited manufacturer's warranty included

SHOWER BASE DIMENSIONS



*Diagram is not to scale

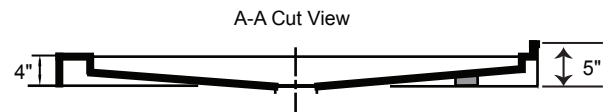
DESIGN FEATURES

- Acrylic shower base constructed of cast high gloss acrylic and reinforced with a fiberglass backing
- Standard 3 3/8" shower drain opening
- Shower base trimmed to fit 66" x 32" rough opening
- Integral tiling flange for easy installation

OPTIONS

- Available in:
White

Compatible Shower Doors:
CPL109-66 (Section 18, Page 5)



This shower base complies with CSA Standards

*Shower Drains are not included
All measurements $\pm 1/4"$

In keeping with our policy of continuing product improvement, Acri-Tec Industries Corp., reserves the right to change product specifications without notice.