

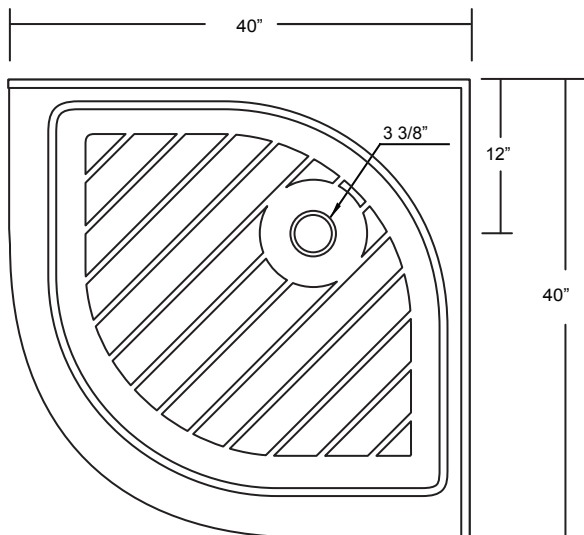
## Shower Base Round Front (62041) 40" x 40"



\*Note: Shower base may not be exactly as pictured

\*1 year limited manufacturer's warranty included

### SHOWER BASE DIMENSIONS



\*Diagram is not to scale



This shower base complies with CSA Standards

### DESIGN FEATURES

- Acrylic shower base constructed of cast high gloss acrylic and reinforced with a fibreglass backing
- Standard 3 3/8" shower drain opening
- Shower base trimmed to fit 40" x 40" rough opening
- Integral tiling flange for easy installation

### OPTIONS

- Available in:  
White

Compatible Shower Doors:

962140 (Section 19, Page 3)

972540 (Section 19, Page 4)



\*Shower Drains are not included  
All measurements  $\pm 1/4"$

In keeping with our policy of continuing product improvement, Acri-Tec Industries Corp., reserves the right to change product specifications without notice.