

### Item # 60033

## DOUBLE THRESHOLD ACRYLIC SHOWER BASE MINIMALIST PROFILE

### 36" x 36" x 2 1/2"

2 1/2" = threshold height not including tiling flange.



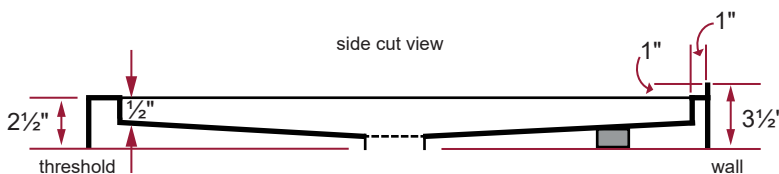
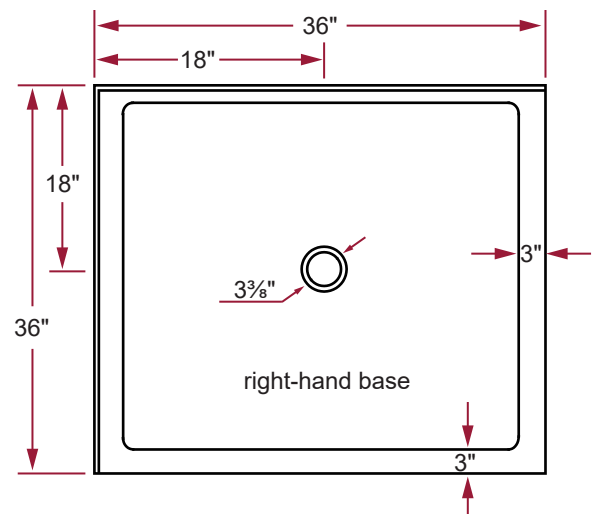
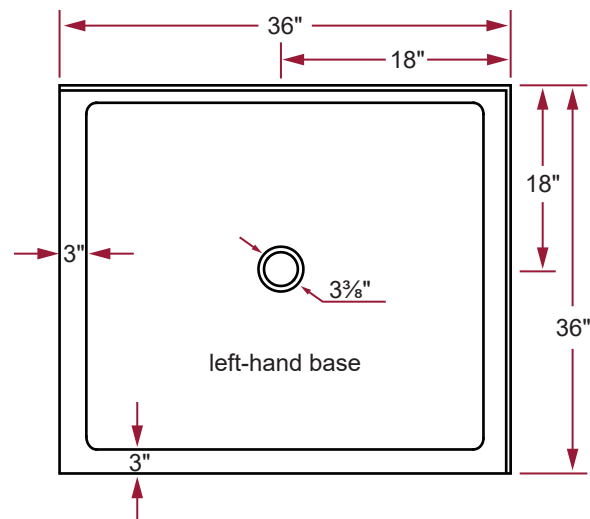
Note: Shower base may not be exactly as pictured.

### PRODUCT SPECIFICATIONS

- High gloss acrylic backed with fibreglass and reinforced with wood.
- Leveling feet included.
- Designed for corner installations.
- Shower base is trimmed to fit a 36-inch x 36-inch rough opening.
- 1-inch high integral tiling flange.
- Available in white.
- Standard 3 3/8" shower drain opening.
- Shower drains sold separately:
  - Item # 03001 - White
  - Item # 03004 - Chrome
  - Item # 03003 - Brushed Nickel
- 1 year limited manufacturer's warranty included.

### DIMENSIONS

- Diagrams not to scale.
- All measurements ± 1/4".



This product complies with CSA Standards

In keeping with our policy of continuing product improvement, Acri-Tec Industries Corp. reserves the right to change product specifications without notice.