

# ACRITEC

SHOWER BASES, SINGLE THRESHOLD, REGULAR PROFILE

63315

54" X 42"

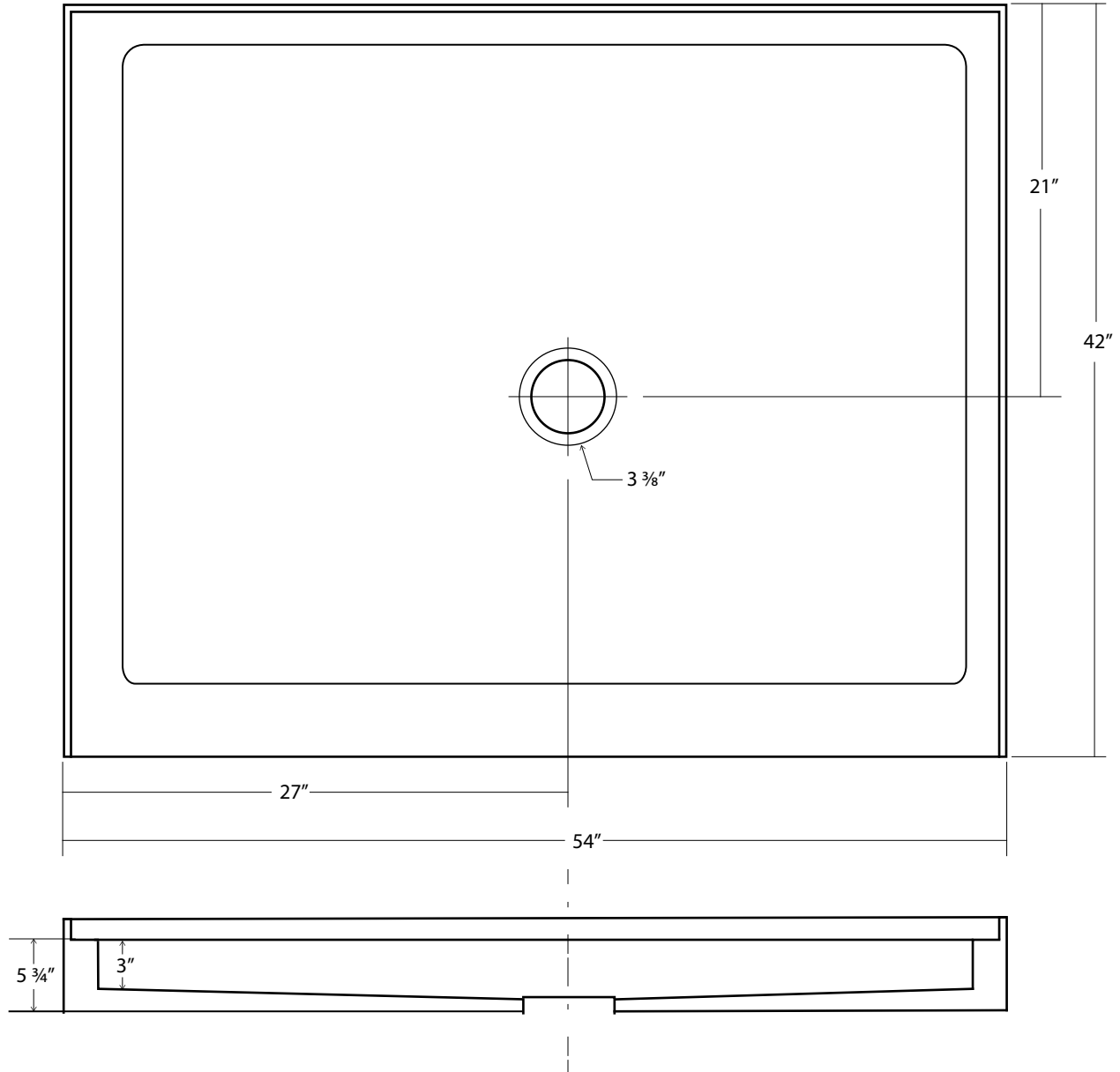


# ACRITEC

SHOWER BASES, SINGLE THRESHOLD, REGULAR PROFILE

63315

54" X 42"



## PRODUCT SPECIFICATIONS

- 100% acrylic with fibreglass and wood reinforcement.
- Pre-levelled.
- Available in white.
- 1 year limited manufacturer's warranty included.

## DESIGN FEATURES

- Acrylic shower base constructed of cast high gloss acrylic and reinforced with a fibreglass backing.
- Standard 3 3/8" shower drain opening.
- Shower base trimmed to fit 54" x 42" rough opening.
- Integral tiling flange for easy installation

REV. 11/30/2017

\*Drawings are not to scale

\*All measurements are  $\pm 1/4$ "

In keeping with our policy of continuing improvement, Acritec industries Corp. reserves the right to change product specifications without notice.

Acritec Industries Corp.