

# 63492

## 66" x 36" Single Threshold Shower Base (Low Profile)



\*Note: Shower base may not be exactly as pictured  
\*1 year limited manufacturer's warranty included

### DESIGN FEATURES

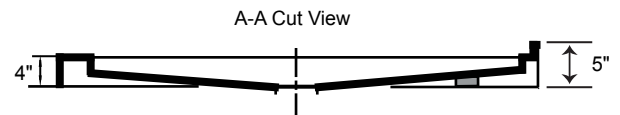
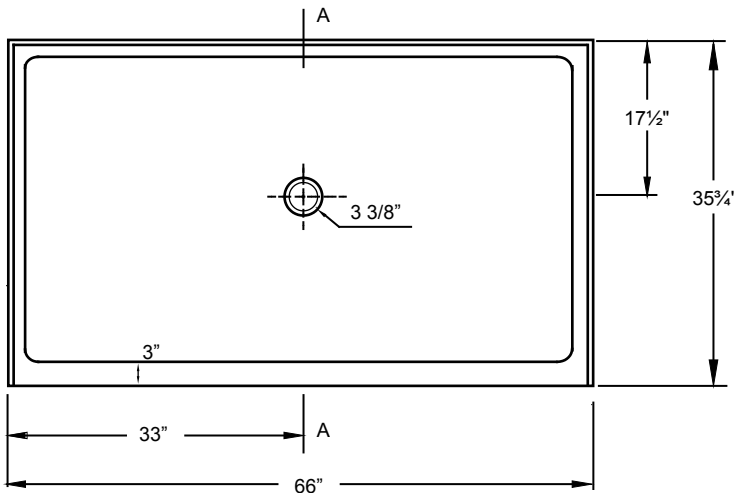
- Acrylic shower base constructed of cast high gloss acrylic and reinforced with a fibreglass backing
- Standard 3<sup>3</sup>/<sub>8</sub>" shower drain opening
- Shower base trimmed to fit 66" x 36" rough opening
- Integral tiling flange for easy installation

### OPTIONS

- Available in White

Compatible Shower Doors:  
CPL109-66

### SHOWER BASE DIMENSIONS



\*Diagram is not to scale



This shower base complies with CSA Standards

\*Shower Drains are not included  
All measurements  $\pm 1/4$ "

In keeping with our policy of continuing product improvement, Acri-Tec Industries Corp., reserves the right to change product specifications without notice.