

## STANLEY (42471)

60" x 32" x 20"  
(1524 x 812 x 508mm)

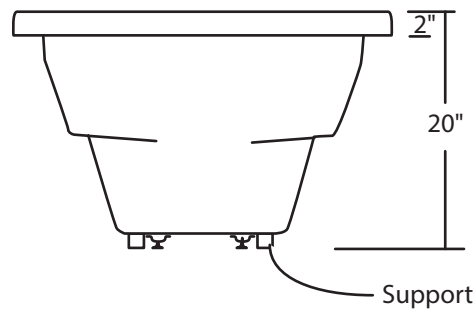
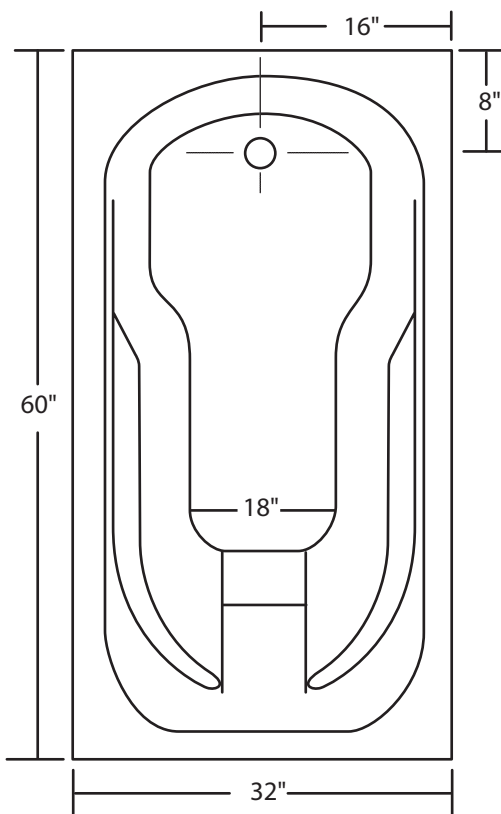
With over 20" in depth from the deck of the tub to the floor, the Stanley allows bathers to fully submerge themselves for a more pleasurable bathing experience. The Stanley can hold up to 40 gallons of water.

The gentle sloping back and arm rests are designed with comfort and ergonomics in mind, and the floor of the tub features a light texture.

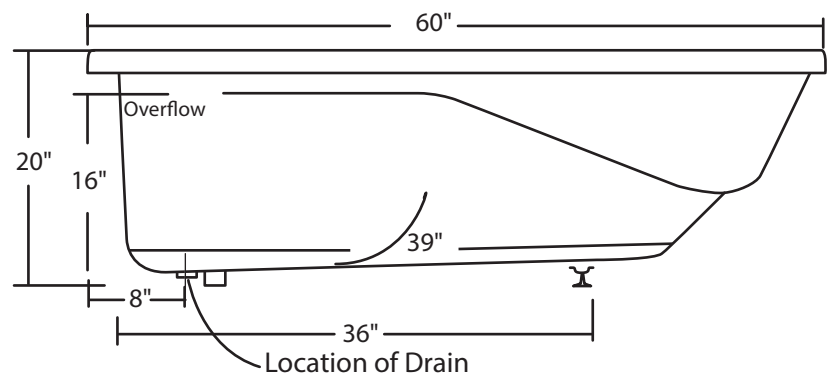
The Stanley is made from 100% acrylic with fibre-glass reinforcement for added strength and durability.



## Dimensions



Drain Hole: 2"  
Overflow: 2 1/4"  
Sizes: ± 1/4"  
Diagram not to scale



In keeping with our policy of continuing product improvement, Acri-Tec Industries Corp., reserves the right to change product specifications without notice.