

C



Cetus
Cast Iron Bathtub



Cetus - 60"

Product #: 48010

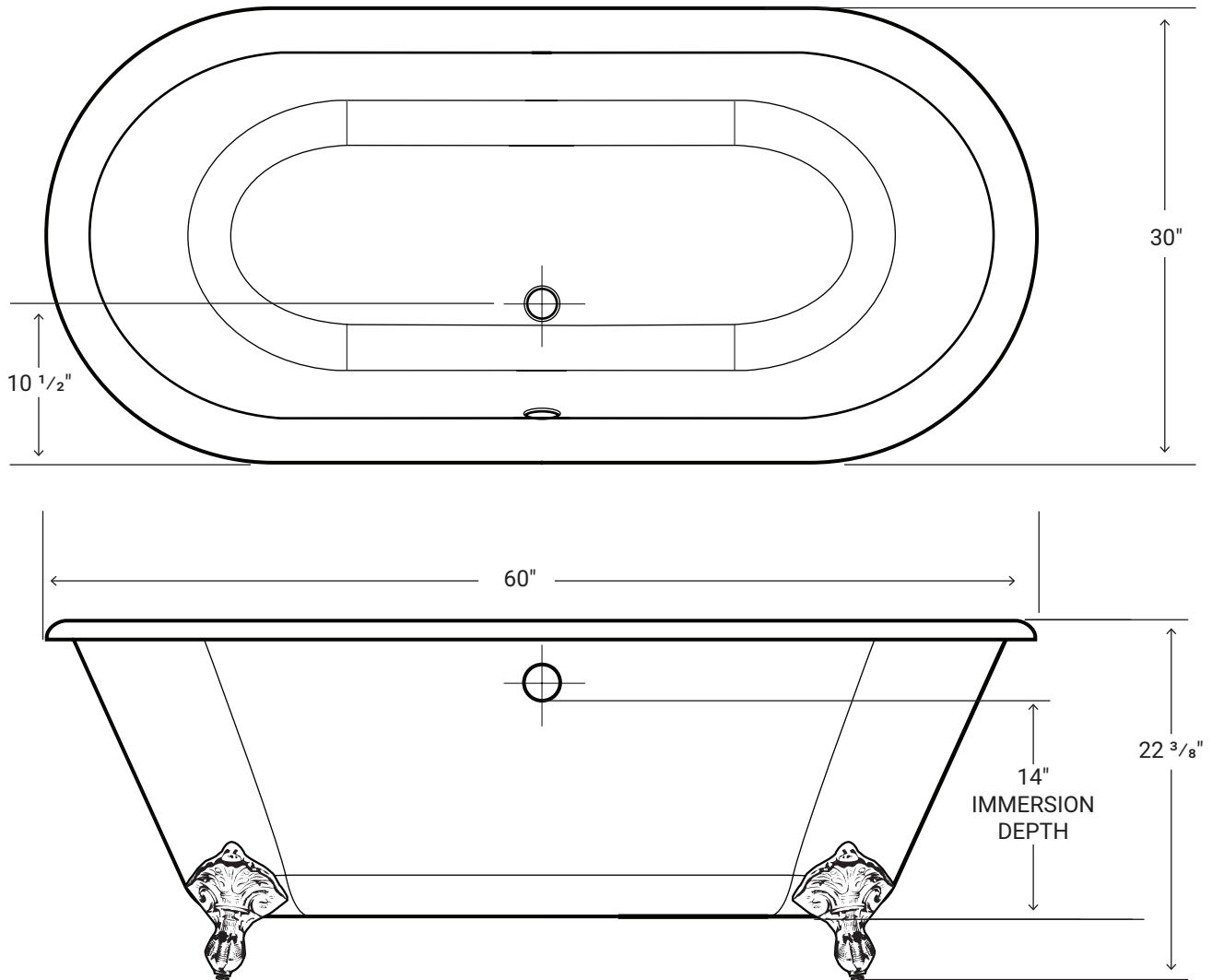
60" x 30" x 22 ³/₈"

Design Features

- Cast Iron
- Oval interior
- Rolled edge for comfortably resting your neck while bathing
- Gently sloping backrests
- Adjustable Leveling hardware on feet
- Filigree ball-and-claw feet
- Interior: White, porcelain enamel fired finish
- Exterior: Hand finished white paint

Product Specifications

- Water Capacity ~ 36 US Gallons
- Weight: 267 lbs
- Immersion Depth: 14"
- 1 year limited manufacturer's warranty
- Faucets & overflow sold separately
- Certified to:
ASME A112.19.1
CSA B45.2-2013



**All measurements are + 1/4"
Drawings are not to scale

Acritec Industries Corp.

27049 Gloucester Way, Langley, B.C. V4W 3Y3

Tel : 604.607.0856 | Fax : 604.607.0857 | info@acritec.com | www.acritec.com

In keeping with our policy of continuing product improvement, Acritec Industries Corp. reserves the right to change product specifications without notice.



Cetus - 67"

Product #: 48012

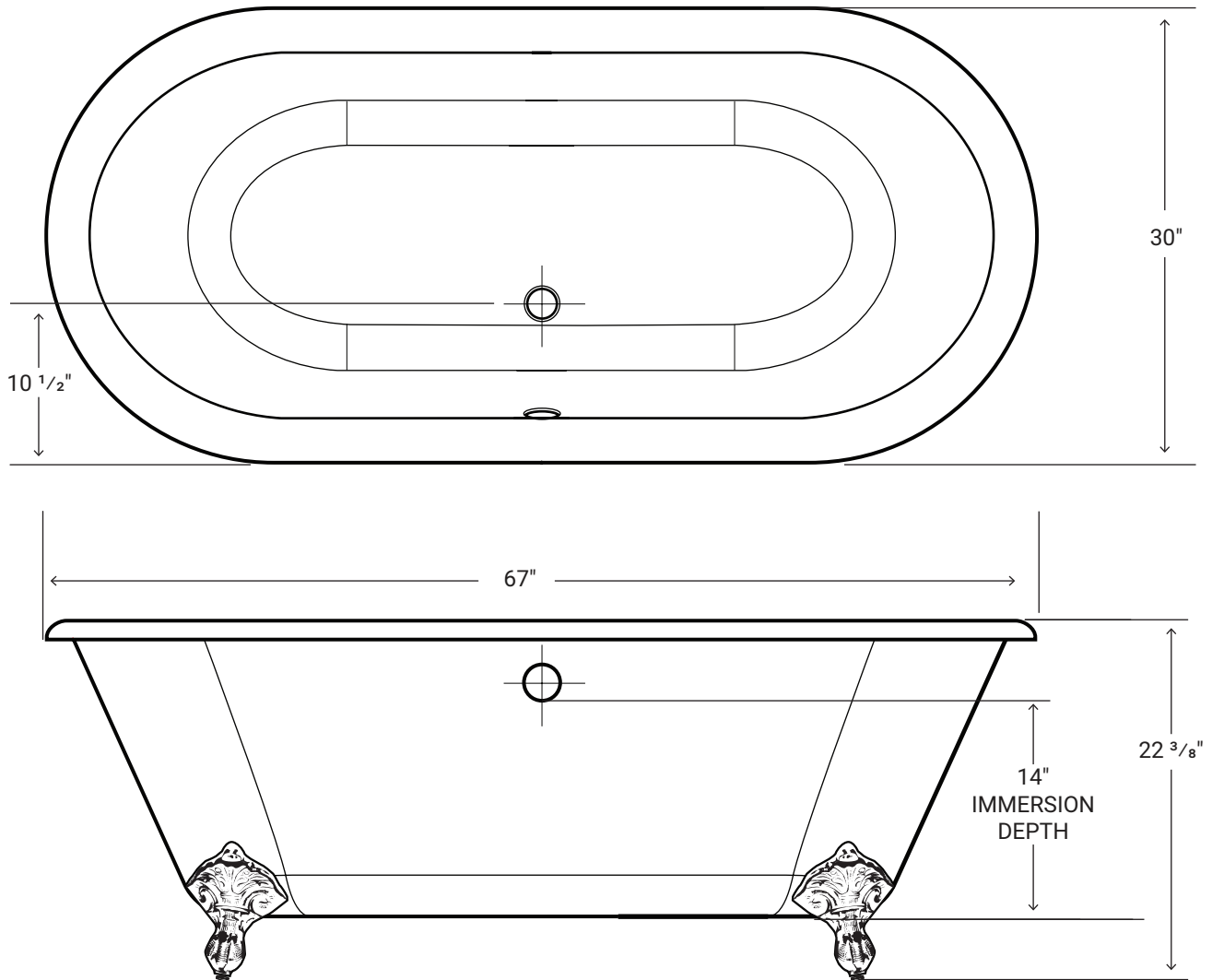
67" x 30" x 22 ³/₈"

Design Features

- Cast Iron
- Oval interior
- Rolled edge for comfortably resting your neck while bathing
- Gently sloping backrests
- Adjustable Leveling hardware on feet
- Filigree ball-and-claw feet
- Interior: White, porcelain enamel fired finish
- Exterior: hand finished white paint

Product Specification

- Water Capacity ~ 47 US Gallons
- Weight: 324 lbs
- Immersion Depth: 14"
- 1 year limited manufacturer's warranty
- Faucets & overflow sold separately
- Certified to:
ASME A112.19.1
CSA B45.2-2013



**All measurements are + 1/4"
Drawings are not to scale

Acritec Industries Corp.

27049 Gloucester Way, Langley, B.C. V4W 3Y3

Tel : 604.607.0856 | Fax : 604.607.0857 | info@acritec.com | www.acritec.com

In keeping with our policy of continuing product improvement, Acritec Industries Corp. reserves the right to change product specifications without notice.