

ACRITEC

BATHTUBS, SKIRTED

LH 41148, RH 41149

54" x 30" x 20 5/8"

CLEAR 5430



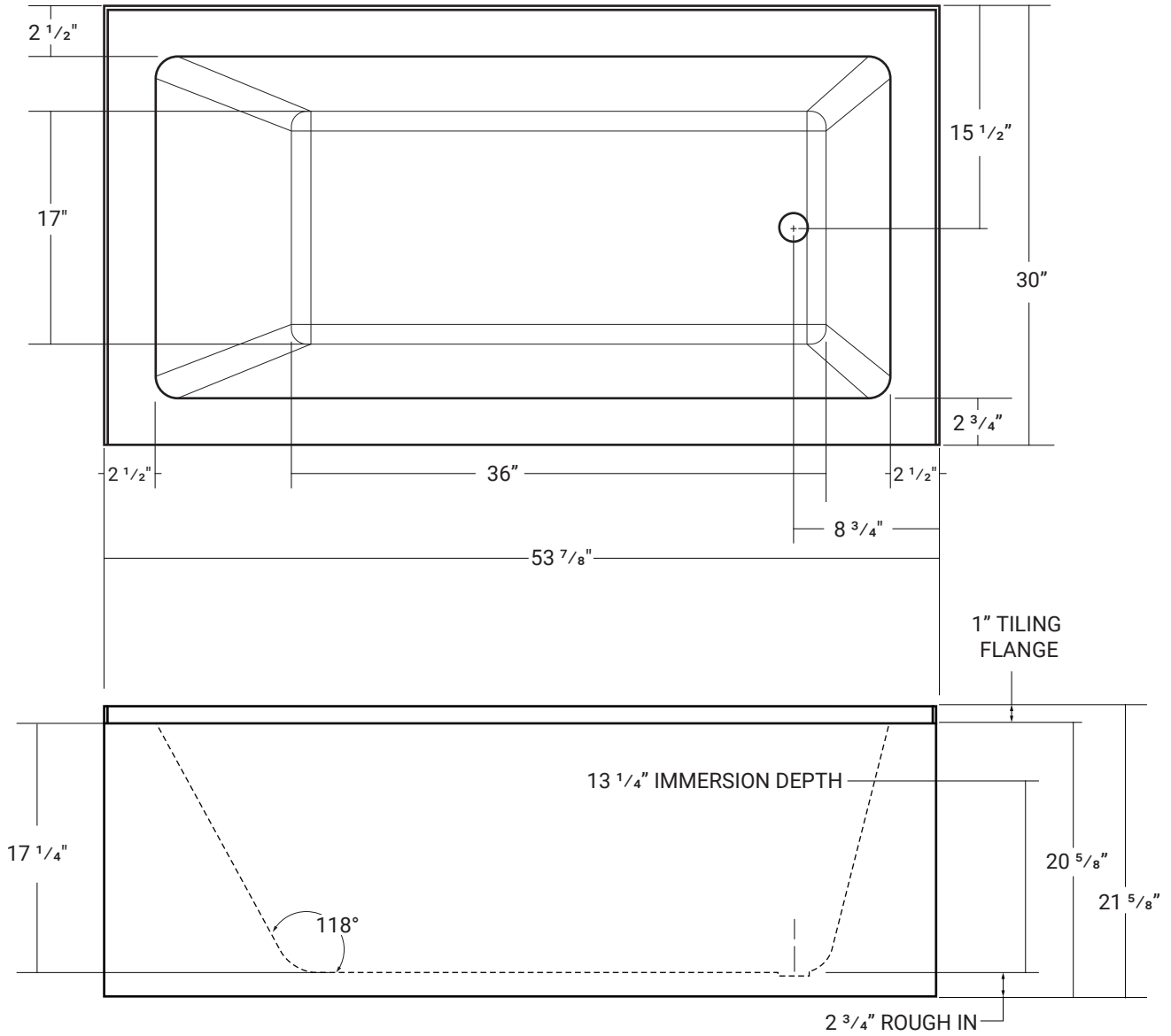
ACRITEC

BATHTUBS, SKIRTED

LH 41148, RH 41149

54" x 30" x 20 5/8"

CLEAR 5430



REV. 5/15/2018

*Drawings are not to scale

*All measurements are ±1/4"

In keeping with our policy of continuing improvement, Acritec Industries Corp. reserves the right to change product specifications without notice.

Acritec Industries Corp.



Toll free: 1 (877) 464-3100 e-mail: sales@acritec.com www.acritec.com

ACRITEC

BATHTUBS, SKIRTED

LH 41148, RH 41149

54" x 30" x 20 5/8"

CLEAR 5430

PRODUCT SPECIFICATIONS

- 100% Acrylic with fibreglass and wood reinforcement.
- Levelling feet included.
- Integral 1" tiling flange.
- Available in white.
- Minimalist interior.
- Drain hole =2" (drain not included).
- Overflow hole =2¼" (overflow not included).
- 1 Year limited manufacturer's warranty included.

DESIGN FEATURES

- Designed for alcove installations.
- Available in both left end drain (LH) or right end drain (RH).
- Gently sloping lumbar support.

AVAILABLE UPGRADES

- Water and or air jetting systems.
- Comfortwarm™ heated Lumbar /backrest.
- Removal of the front apron.



COMFORT
WARM™



CHROMA
THERAPY



WATER JET



AIR JET



100%
ACRYLIC

ACCESSORIES AND UPGRADES	ITEM No.
Chromotherapy lights	01020
Lateral air jets, white	00021
Lateral air jets, chrome	00024
Illusion air jets, white	00031
Inline whirlpool heater	00171
ComfortWarm™ heated backrest	01040
Remove apron	02000
Remove apron, add 1/2" setback wood apron	02010