

E



Ernst

Free-Standing Faucets



Product # 83091

Ernst

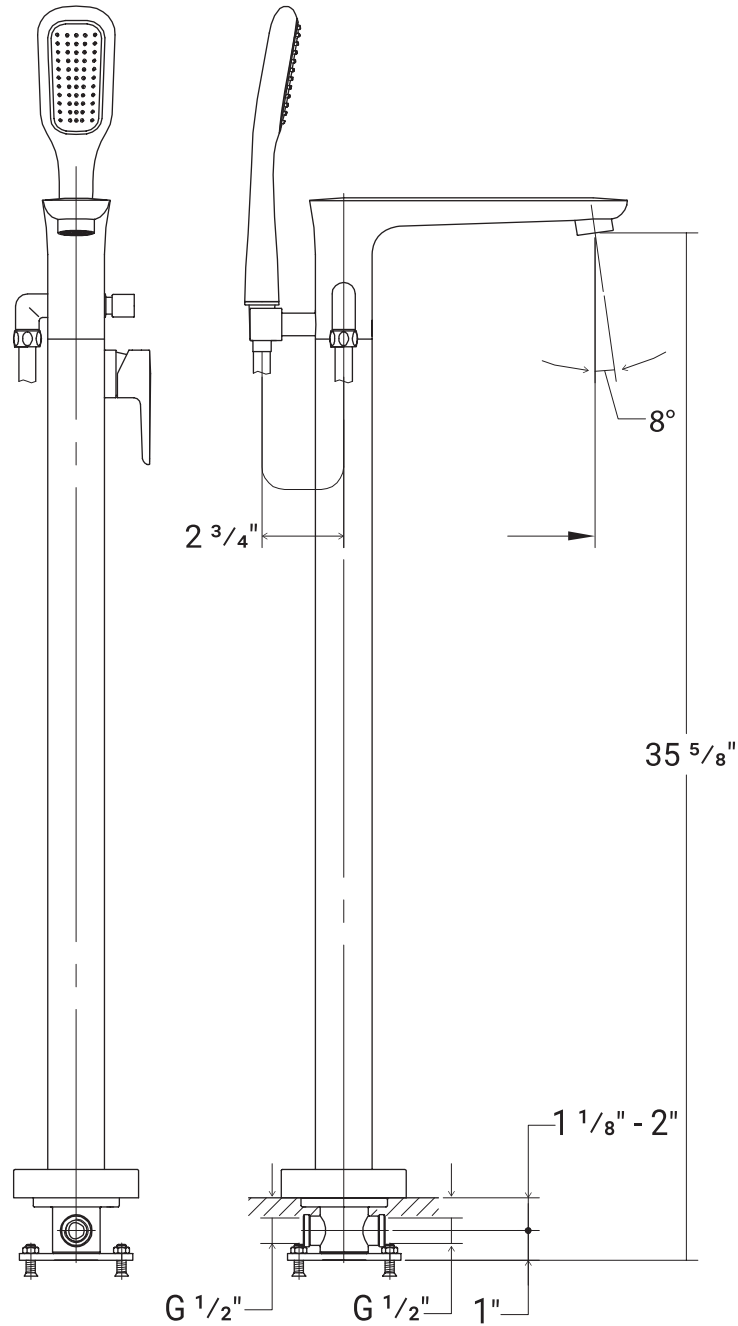
Single Lever Free-Standing Faucet

Features

- Single lever handle
- Ceramic disc single lever cartridge
- Solid brass construction
- Triple-plated chrome finish
- Tripple-seal water supple system

Technical Specifications

- 5.7gal/min spout flow rate @ 58 psi
- Minimum operating temp: 0°C
- Maximum operating temp: 90°C
- Minimum operating pressure: 29 psi
- Maximum operating pressure: 145 psi



*All measurements are $+ \frac{1}{4}$ "
*Drawings are not to scale

Acritec Industries Corp.

27049 Gloucester Way, Langley, B.C. V4W 3Y3

Tel : 604.607.0856 | Fax : 604.607.0857 | info@acritec.com | www.acritec.com

In keeping with our policy of continuing product improvement, Acritec Industries Corp. reserves the right to change product specifications without notice.