



Lusca
Cast Iron Bathtub



Lusca (White)

Product #: 48040

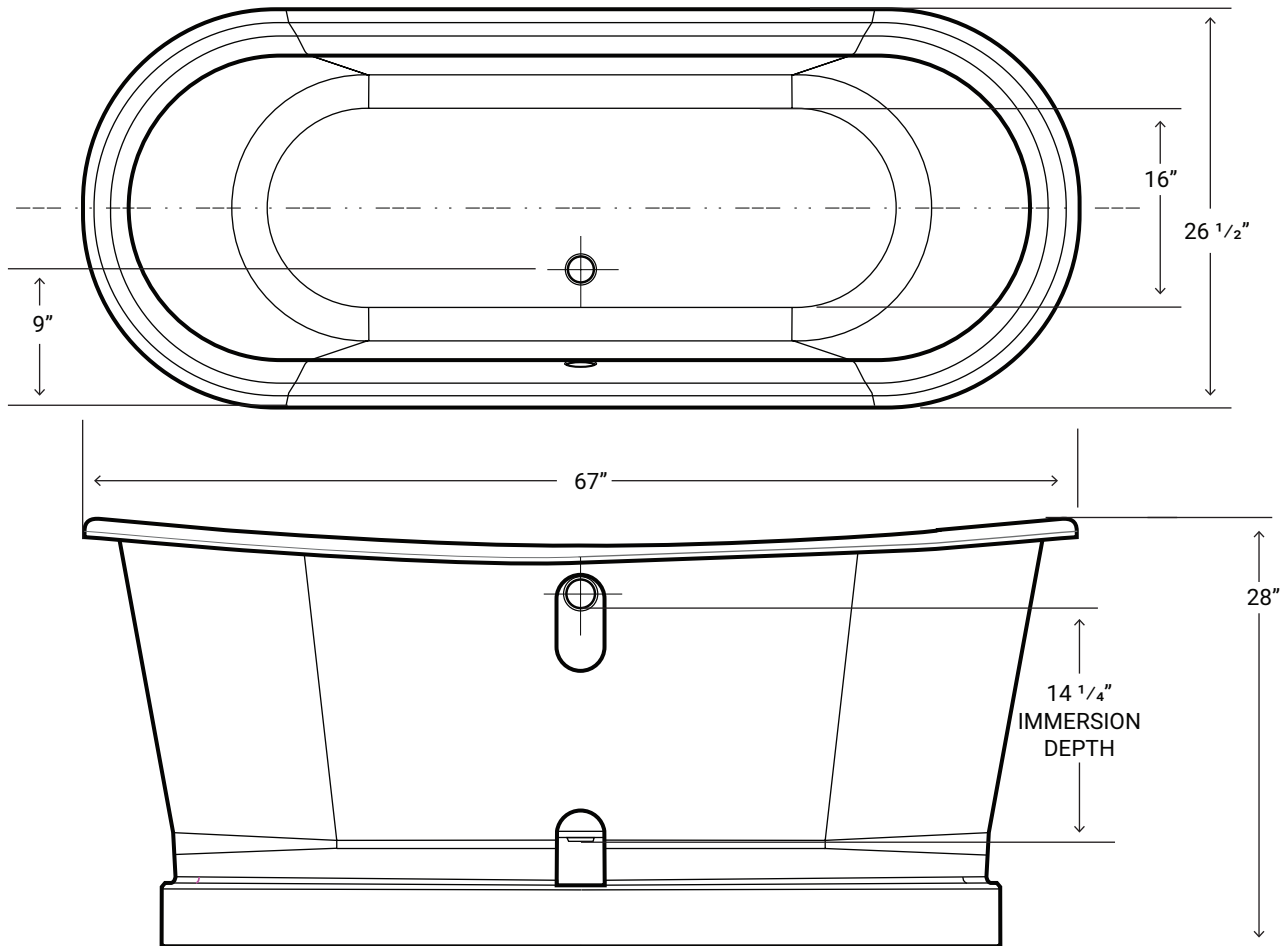
67" x 26 1/2" x 28"

Design Features

- Cast Iron
- Oval interior
- Gently sloping backrests
- Rolled edge for comfortably resting you neck while bathing
- Interior: White, porcelain enamel fired finish
- Exterior: Hand finished white paint

Product Specification

- Water Capacity ~ 30 US Gallons
- Weight: 485 lbs
- Immersion Depth: 14 1/4"
- 1 year limited manufacturer's warranty
- Faucets & overflow sold separately
- Certified to:
ASME A112.19.1
CSA B45.2-2013



**All measurements are + 1/4"*

**Drawings are not to scale*

Acritec Industries Corp.

27049 Gloucester Way, Langley, B.C. V4W 3Y3

Tel : 604.607.0856 | Fax : 604.607.0857 | info@acritec.com | www.acritec.com

In keeping with our policy of continuing product improvement, Acritec Industries Corp. reserves the right to change product specifications without notice.



Lusca (Mirror Finish)

Product #: 48040-02

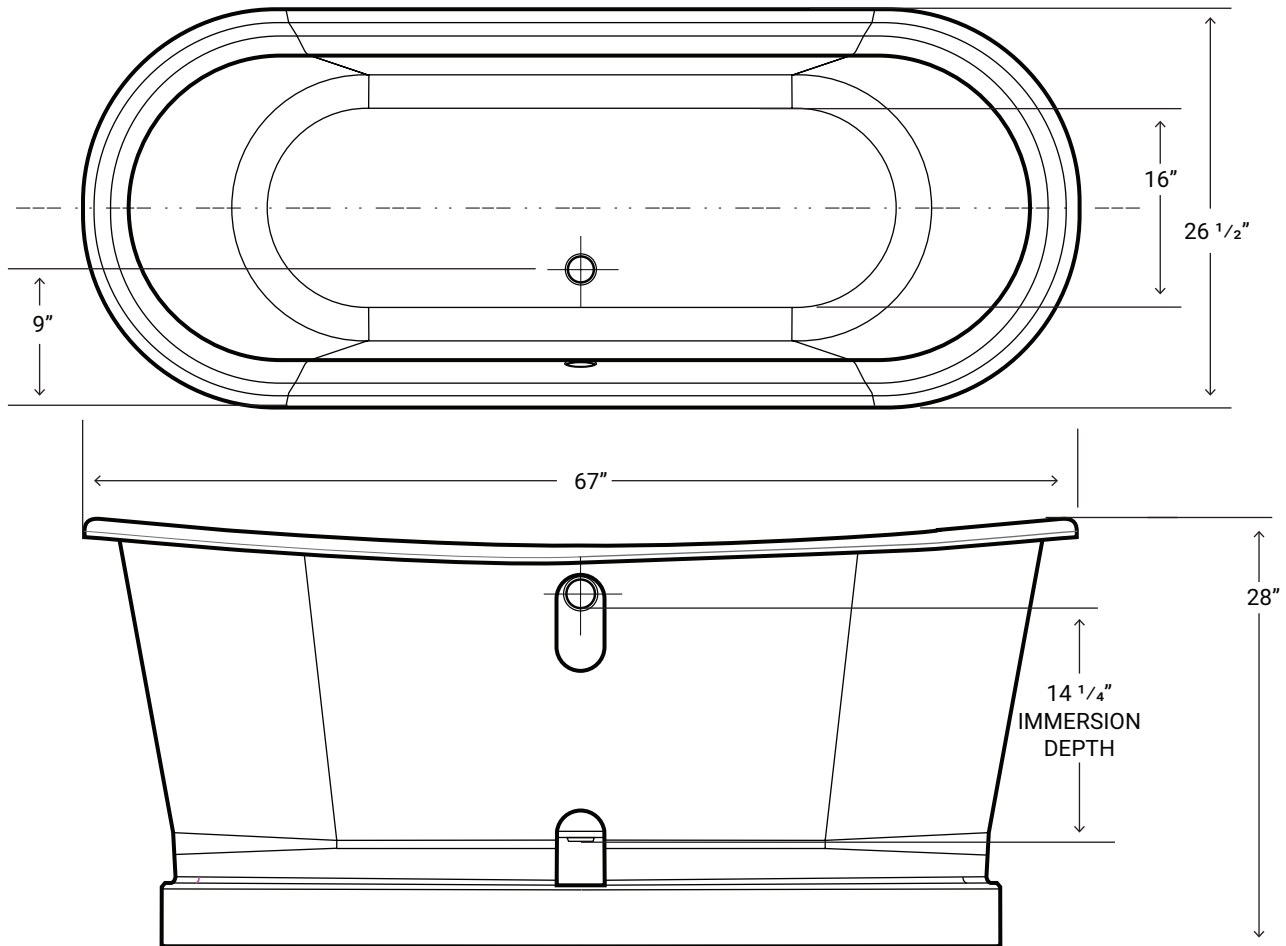
67" x 26 1/2" x 28"

Design Features

- Cast Iron
- Oval interior
- Gently sloping backrests
- Rolled edge for comfortably resting you neck while bathing
- Interior: White, porcelain enamel fired finish
- Exterior: Mirror Finish

Product Specification

- Water Capacity ~ 30 US Gallons
- Weight: 485 lbs
- Immersion Depth: 14 1/4"
- 1 year limited manufacturer's warranty
- Faucets & overflow sold separately
- Certified to:
ASME A112.19.1
CSA B45.2-2013



*All measurements are + 1/4"

*Drawings are not to scale

Acritec Industries Corp.

27049 Gloucester Way, Langley, B.C. V4W 3Y3

Tel : 604.607.0856 | Fax : 604.607.0857 | info@acritec.com | www.acritec.com

In keeping with our policy of continuing product improvement, Acritec Industries Corp. reserves the right to change product specifications without notice.



Lusca (Black)

Product #: 48040-05

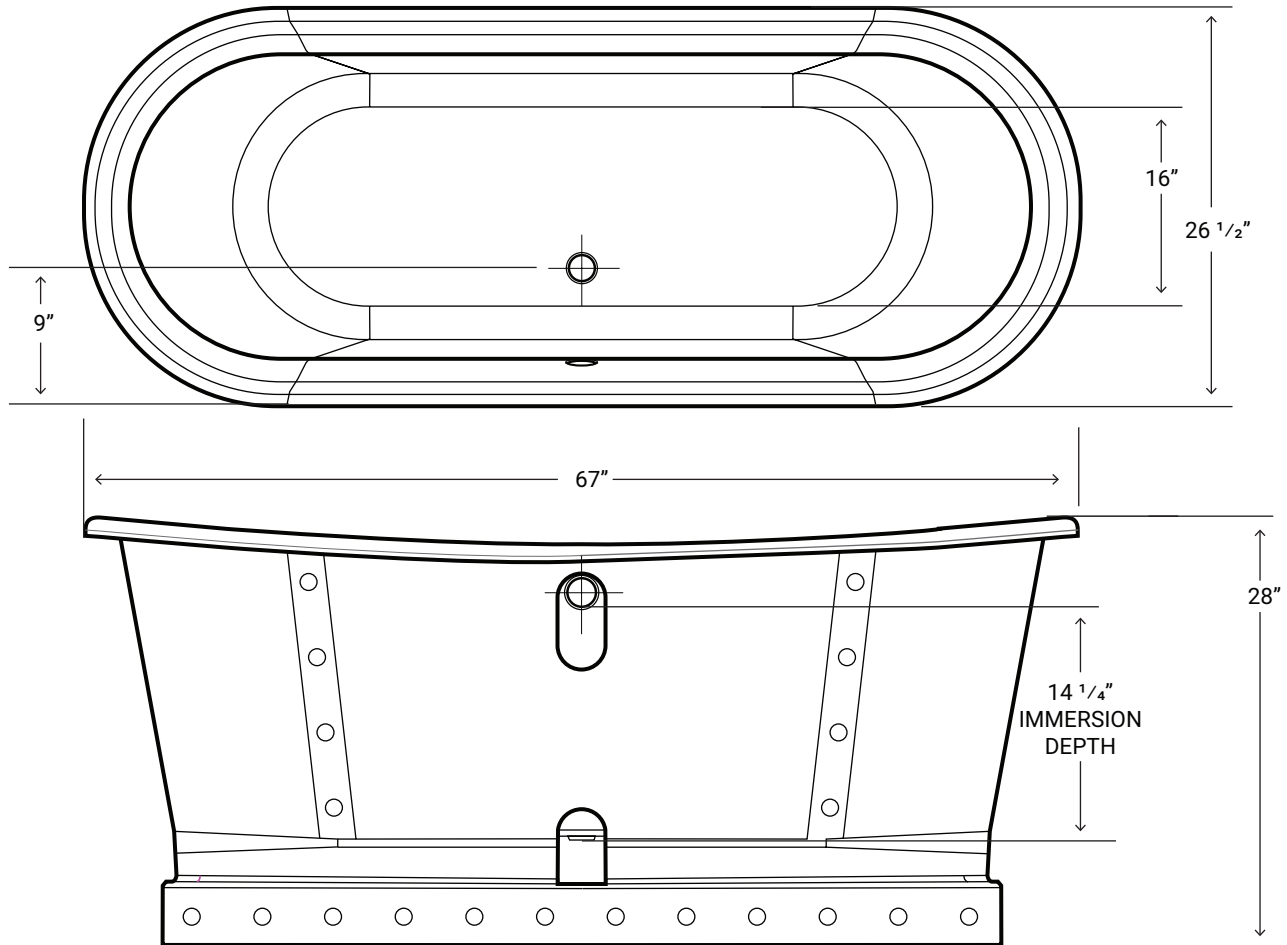
67" x 26 1/2" x 28"

Design Features

- Cast Iron
- Oval interior
- Gently sloping backrests
- Rolled edge for comfortably resting you neck while bathing
- Interior: White, porcelain enamel fired finish
- Exterior: Black with rivets

Product Specification

- Water Capacity ~ 30 US Gallons
- Weight: 485 lbs
- Immersion Depth: 14 1/4"
- 1 year limited manufacturer's warranty
- Faucets & overflow sold separately
- Certified to:
ASME A112.19.1
CSA B45.2-2013



*All measurements are + 1/4"

*Drawings are not to scale

Acritec Industries Corp.

27049 Gloucester Way, Langley, B.C. V4W 3Y3

Tel : 604.607.0856 | Fax : 604.607.0857 | info@acritec.com | www.acritec.com

In keeping with our policy of continuing product improvement, Acritec Industries Corp. reserves the right to change product specifications without notice.



Lusca (Satin Finish)

Product #: 48040-08

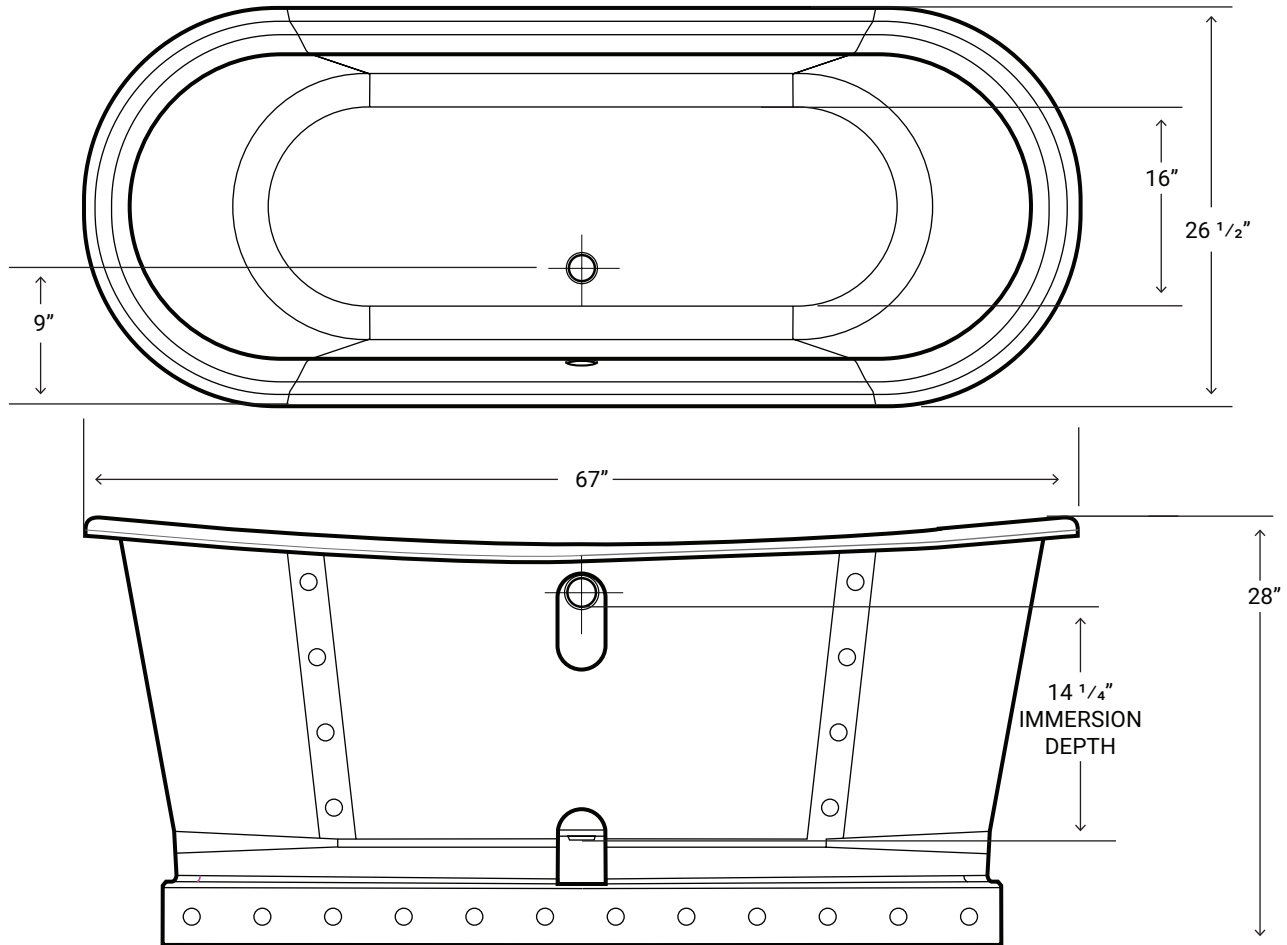
67" x 26 1/2" x 28"

Design Features

- Cast Iron
- Oval interior
- Gently sloping backrests
- Rolled edge for comfortably resting you neck while bathing
- Interior: White, porcelain enamel fired finish
- Exterior: Satin Finish

Product Specification

- Water Capacity ~ 30 US Gallons
- Weight: 485 lbs
- Immersion Depth: 14 1/4"
- 1 year limited manufacturer's warranty
- Faucets & overflow sold separately
- Certified to:
ASME A112.19.1
CSA B45.2-2013



**All measurements are + 1/4"*

**Drawings are not to scale*

Acritec Industries Corp.

27049 Gloucester Way, Langley, B.C. V4W 3Y3

Tel : 604.607.0856 | Fax : 604.607.0857 | info@acritec.com | www.acritec.com

In keeping with our policy of continuing product improvement, Acritec Industries Corp. reserves the right to change product specifications without notice.