

P



**Palermo**  
*Cast Acrylic Bathtub*



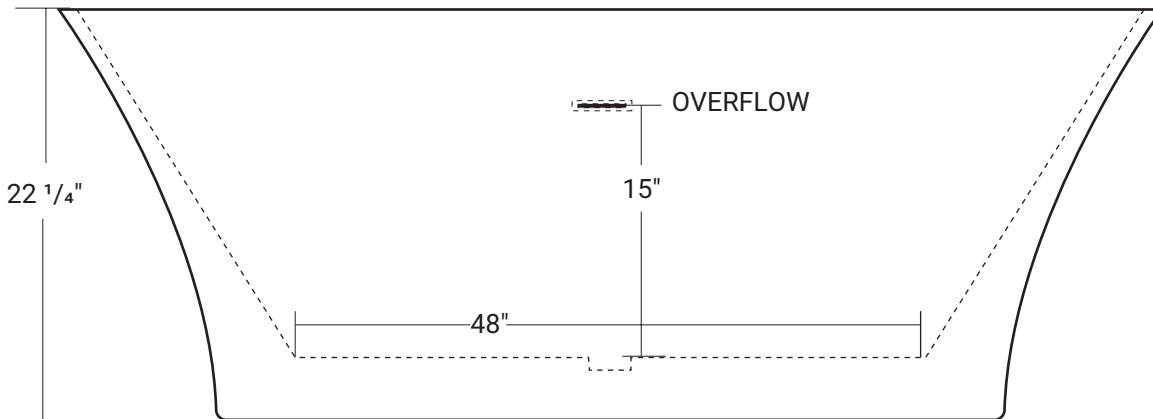
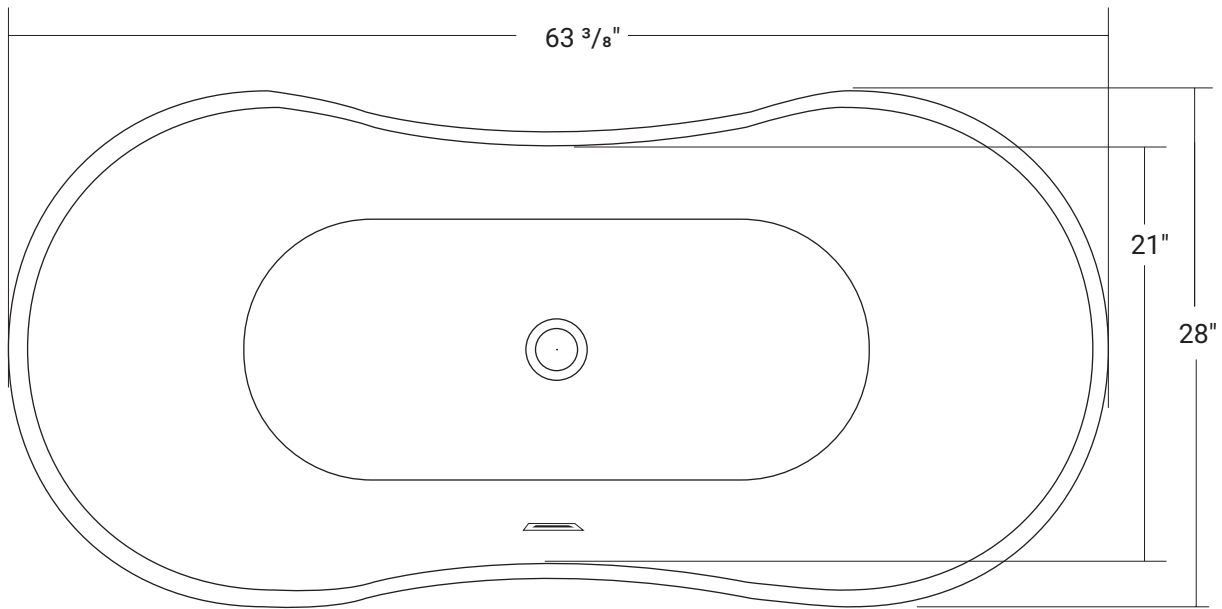
Product #: 46507

## Palermo

63 <sup>3</sup>/<sub>8</sub>" x 28" x 22 <sup>1</sup>/<sub>4</sub>"

### Product Specifications

- Cast acrylic based construction
- <sup>3</sup>/<sub>4</sub>" thick walls
- Smooth, matte white finish
- Solid core construction for excellent heat insulation properties
- White matched drain included
- Center drain design
- Drain Hole = 2" (clicker style included)
- Integral over flow channel and slotted overflow
- 1 year limited manufacturer's warranty
- Weight: 295 lbs



\*All measurements are + 1/4"  
\*Drawings are not to scale

### Acritec Industries Corp.

27049 Gloucester Way, Langley, B.C. V4W 3Y3

Tel : 604.607.0856 | Fax : 604.607.0857 | info@acritec.com | www.acritec.com

In keeping with our policy of continuing product improvement, Acritec Industries Corp. reserves the right to change product specifications without notice.