

S



Sicilian

Cast Acrylic Bathtub



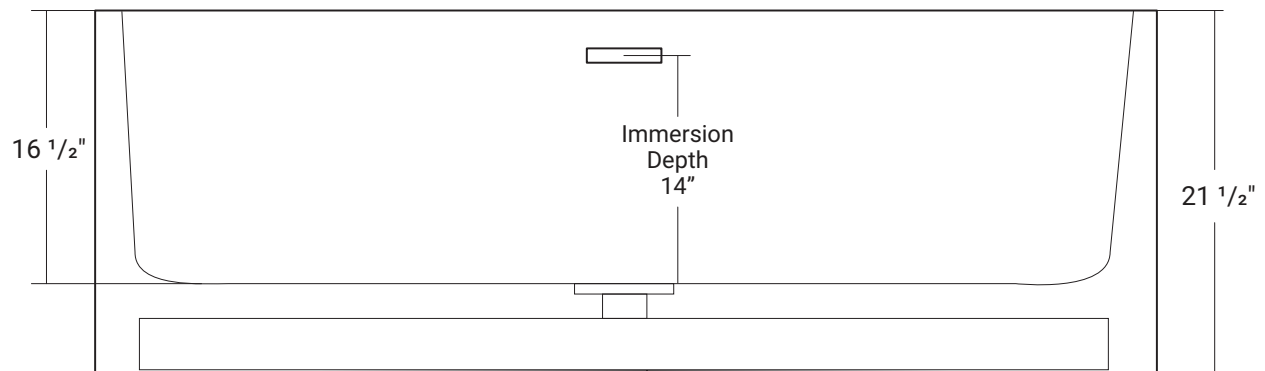
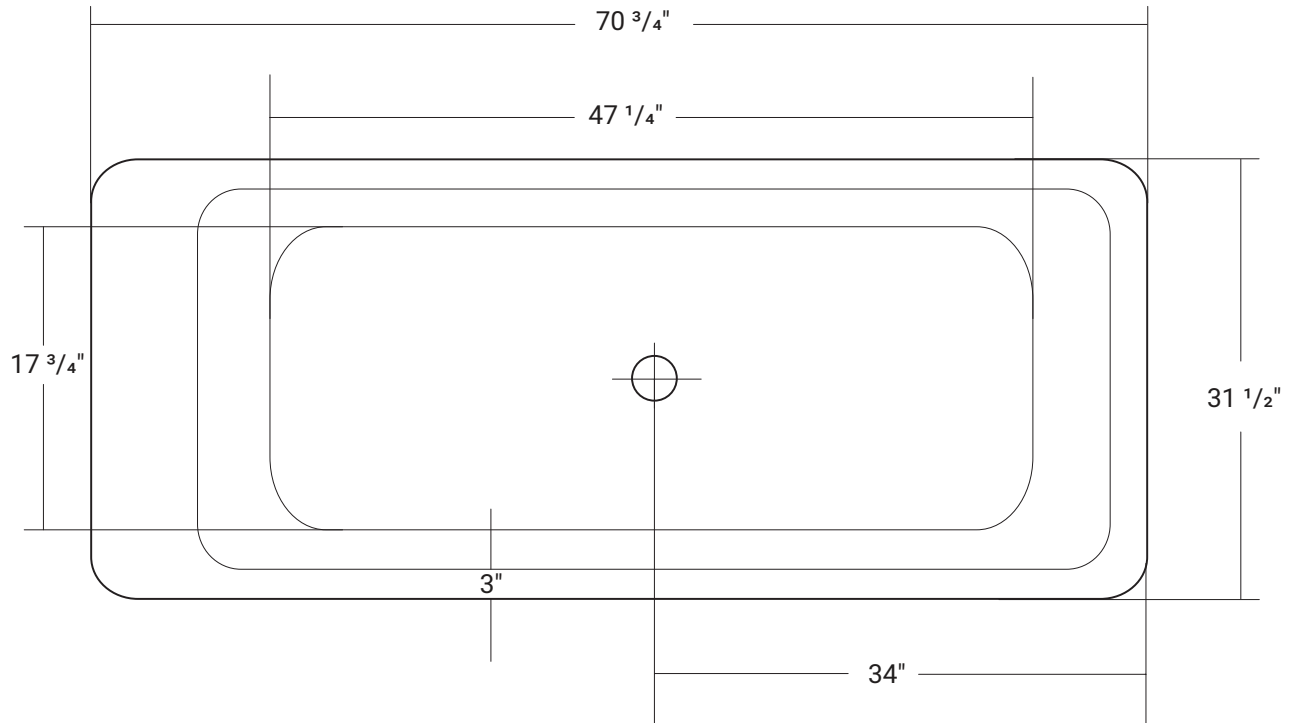
Product #: 46513

Sicilian

70 ³/₄" x 31 ¹/₂" x 21 ¹/₂"

Product Specifications

- Cast acrylic based construction
- Ultra thin wall profiles
- Smooth, matte white finish
- Solid core construction for excellent heat insulation properties
- White matched drain included
- Center drain design
- Drain Hole = 2" (clicker style included)
- Integral over flow channel and slotted overflow
- 1 year limited manufacturer's warranty



*All measurements are + 1/4"
*Drawings are not to scale

Acritec Industries Corp.

27049 Gloucester Way, Langley, B.C. V4W 3Y3

Tel : 604.607.0856 | Fax : 604.607.0857 | info@acritec.com | www.acritec.com

In keeping with our policy of continuing product improvement, Acritec Industries Corp. reserves the right to change product specifications without notice.