

AXOR Starck
Thermostatic Trim with Volume Control
 Finishes : **chrome** Part no. : **10700001**



Description

Features

- Volume control for 1 outlet
- Flow: 6.0 GPM (22.7 L/Min)
- Thermostatic cartridge, Ceramic cartridge
- Anti-scald 100° safety stop

Item details

List Price \$ 956.00

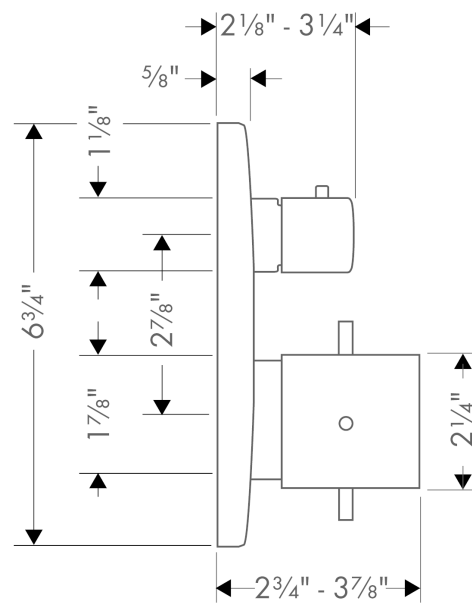
Compliance



Product image



Scale drawing

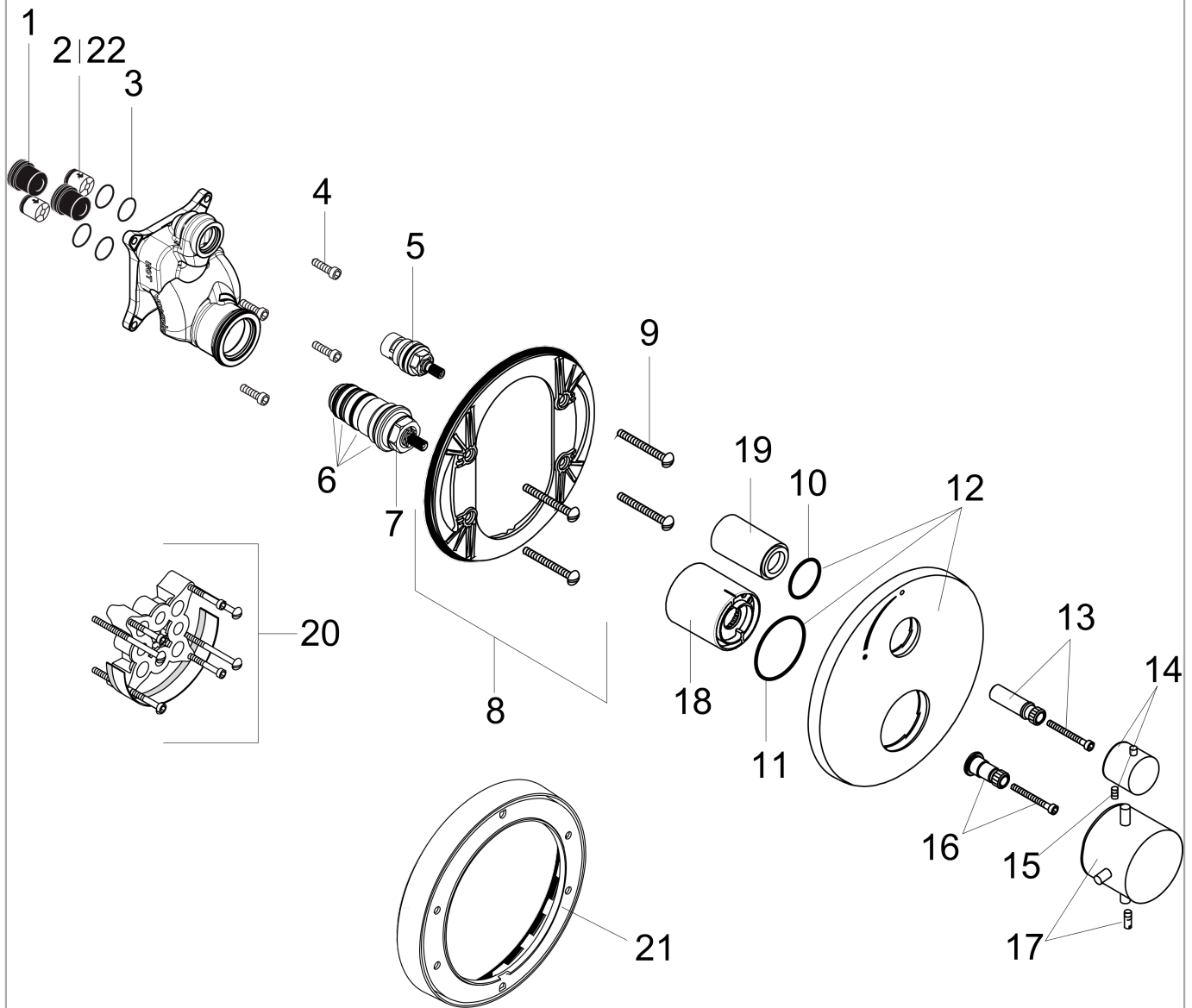


AXOR Starck
Thermostatic Trim with Volume Control
 Finishes : **chrome** Part no. : **10700001**



Exploded drawing

Year of production: >06/13



AXOR Starck
Thermostatic Trim with Volume Control
 Finishes : **chrome** Part no. : **10700001**



Spare parts list

Year of production: >06/13

Pos.	Description	Part no.	Price	PU
1	noise reduction	94073000	-	1
2	set of non return valves DW 15	94074000	-	1
3	O-ring 16x2	98133000	-	1
4	set of screws	96525000	-	1
5	shut off unit right closing	94009000	-	1
6	sealing set	95037000	-	1
7	thermostat cartridge	94282000	-	1
8	sub plate	96447000	-	1
9	set of fixing screws	96454000	-	1
10	O-ring 29x3	98371000	-	1
11	O-Ring 48x3	95508000	-	1
12	escutcheon Ø 170 mm	95804000	-	1
13	adapter for handle	96451000	-	1
14	handle	96520000	-	1
15	hollow set screw M4x8	97669000	-	1
16	adapter for handle	96435000	-	1
17	handle for thermostat	10391000	-	1
18	sleeve	96446000	-	1
19	sleeve	96439000	-	1
20	extension 25 mm	13595000	-	1
21	extension 22 mm (Ø 170 mm)	13596000	-	1
22	non return valve (pressure-resistant up to 2 MPa)	92594000	-	1
a	set of fixing screws	97747000	-	1