

AXOR Starck
Thermostatic Trim HighFlow
 Finishes : **chrome** Part no. : **10715001**



Description

Features

- Flow: 13.0 GPM (49.2 L/Min)
- Thermostatic cartridge
- Anti-scald 100° safety stop

Item details

List Price \$ 1,021.00

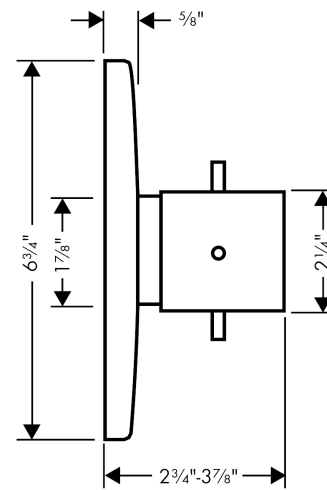
Compliance



Product image



Scale drawing

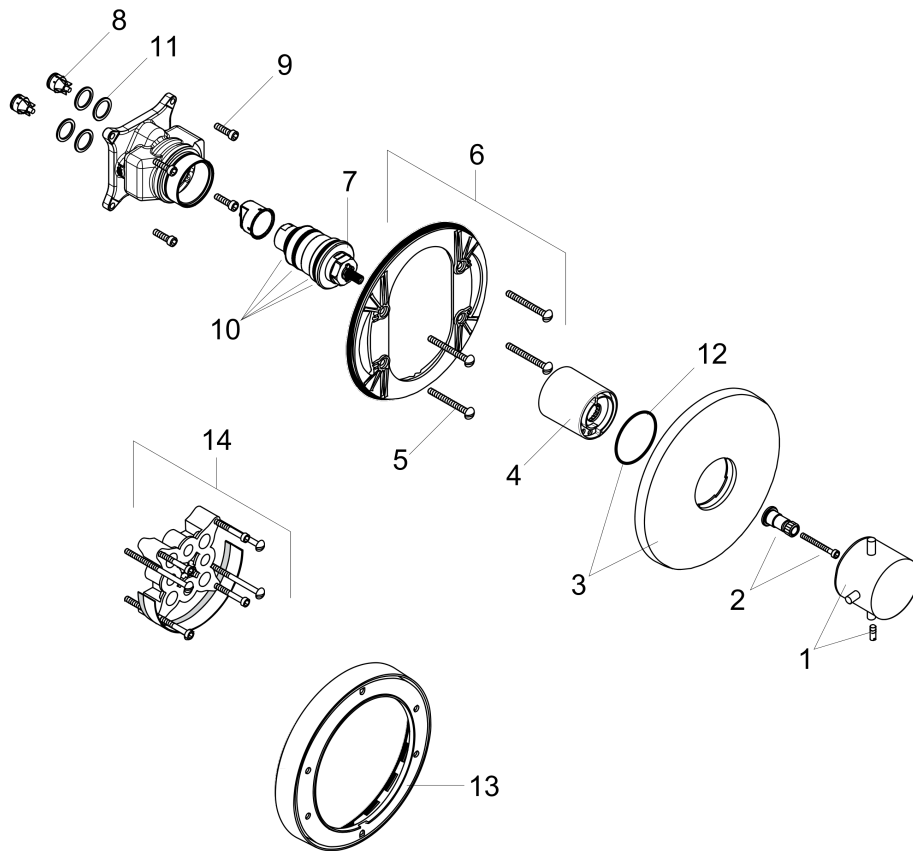


AXOR Starck
Thermostatic Trim HighFlow
 Finishes : **chrome** Part no. : **10715001**



Exploded drawing

Year of production: >10/09



AXOR Starck
Thermostatic Trim HighFlow
 Finishes : **chrome** Part no. : **10715001**



Spare parts list

Year of production: >10/09

Pos.	Description	Part no.	Price	PU
1	handle for thermostat	10391001	-	1
2	adapter for handle	96435000	-	1
3	escutcheon Ø 170 mm	96452000	-	1
4	sleeve	97439000	-	1
5	set of fixing screws	96454000	-	1
6	sub plate	96447000	-	1
7	thermostat cartridge	96633000	-	1
8	set of non return valves DW 15	97350000	-	1
9	set of screws	96525000	-	1
10	sealing set	96636000	-	1
11	O-ring 16x2	98133000	-	1
12	O-ring 48x5	98174000	-	1
13	extension 22 mm (Ø 170 mm)	13596000	-	1
14	extension 25 mm	13595000	-	1
a	base body	01850181	-	1