

**AXOR Urquiola**  
**Pressure Balance Trim**  
 Finishes : **chrome**    Part no. : **11408001**



**Description**

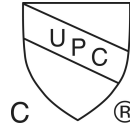
**Features**

- Flow: 5.5 GPM (20.6 L/Min)
- Integrated bypass for use with diverter tub spouts
- Temperature and on/off control for 1 outlet

**Item details**

List Price \$ 514.00

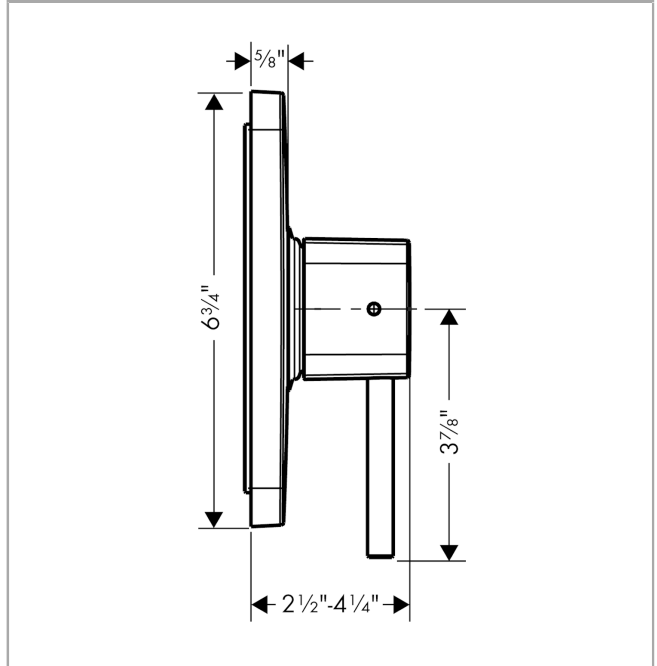
**Compliance**



**Product image**



**Scale drawing**

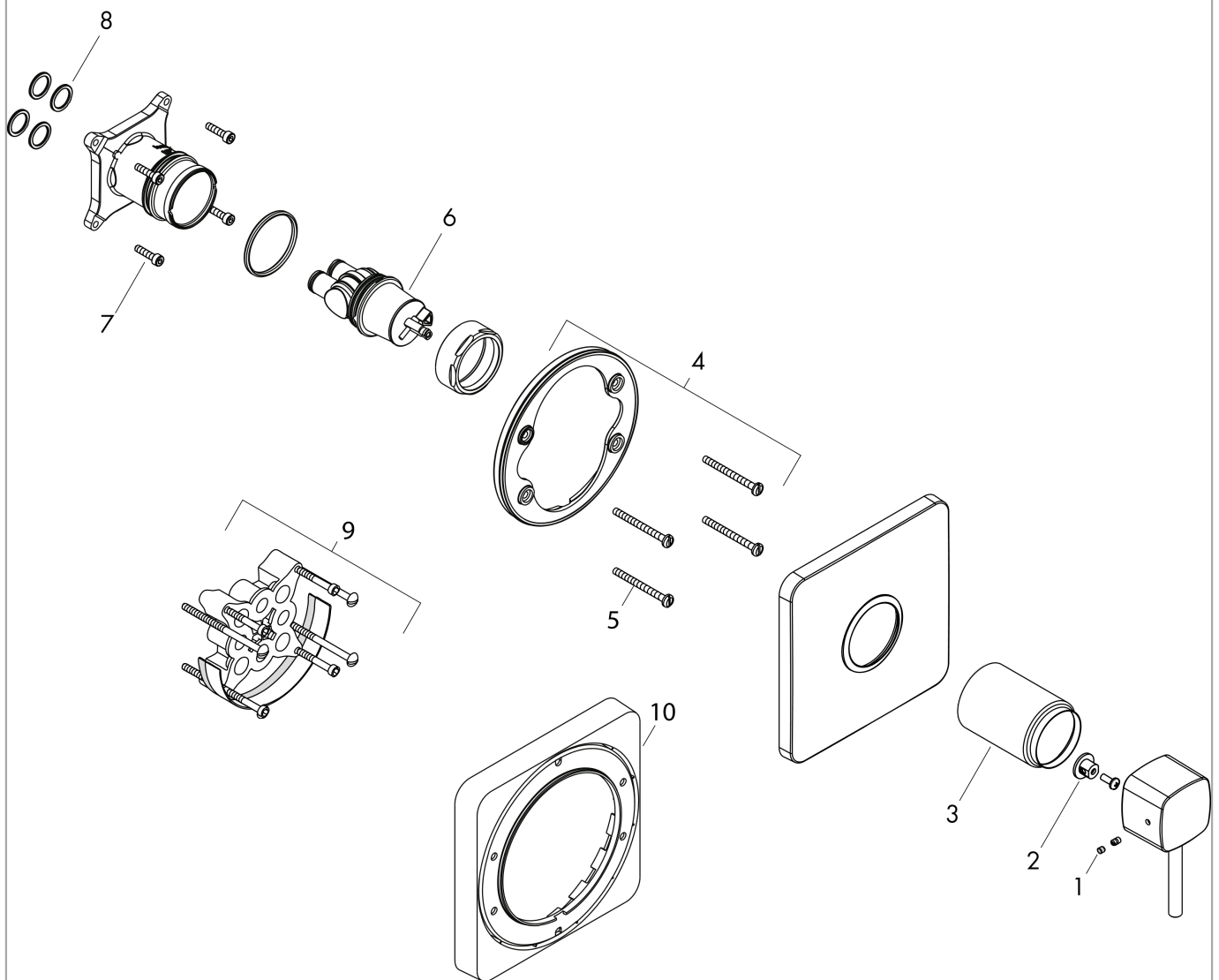


**AXOR Urquiola**  
**Pressure Balance Trim**  
 Finishes : **chrome**    Part no. : **11408001**



Exploded drawing

Year of production: >06/10



**AXOR Urquiola**  
**Pressure Balance Trim**  
 Finishes : **chrome**    Part no. : **11408001**



**Spare parts list**

Year of production: >06/10

<b>Pos.</b>	<b>Description</b>	<b>Part no.</b>	<b>Price</b>	<b>PU</b>
1	screw cover	95181000	-	1
2	adapter for handle	92756000	-	1
3	sleeve	88765000	-	1
4	holder for escutcheon	98793000	-	1
5	set of fixing screws	96454000	-	1
6	cartridge, assy	88727000	-	1
7	set of screws	96525000	-	1
8	O-ring 16x2	98133000	-	1
9	extension 25 mm	13595000	-	1
10	extension 22 mm	98860000	-	1
a	base body	01850181	-	1
b	escutcheon	88780000	-	1