

**AXOR Urquiola**  
**Thermostatic Trim HighFlow**  
 Finishes : **chrome** Part no. : **11731001**



**Description**

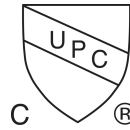
**Features**

- Flow: 13.0 GPM (49.2 L/Min)
- Thermostatic cartridge
- Anti-scald 100° safety stop

**Item details**

List Price \$ 1,118.00

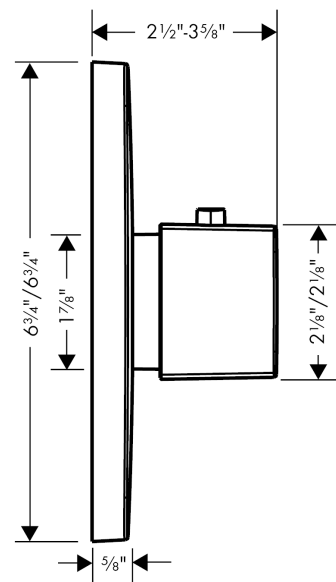
**Compliance**



**Product image**



**Scale drawing**

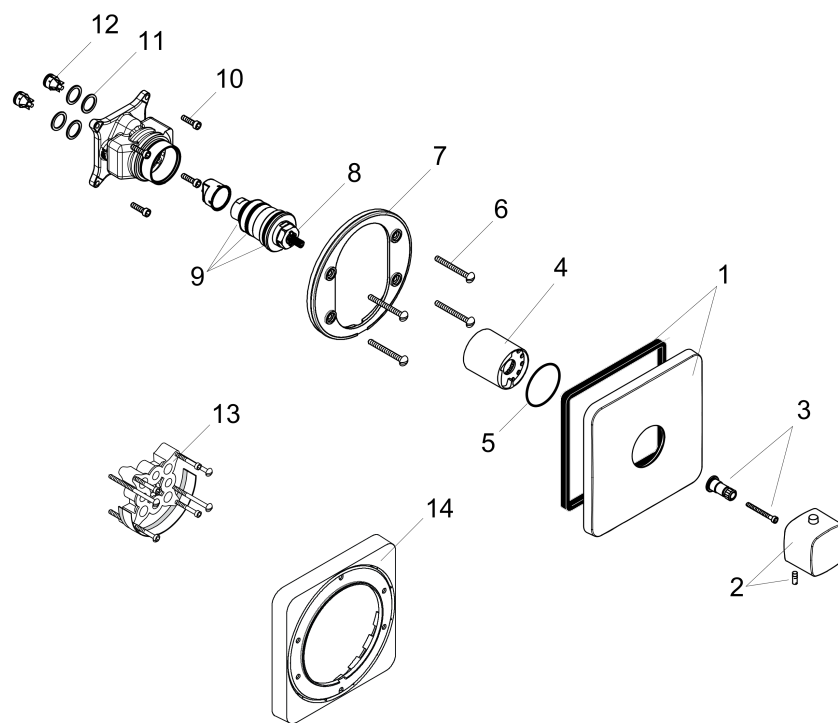


**AXOR Urquiola**  
**Thermostatic Trim HighFlow**  
 Finishes : **chrome**    Part no. : **11731001**



Exploded drawing

Year of production: >06/10



**AXOR Urquiola**  
**Thermostatic Trim HighFlow**  
 Finishes : **chrome** Part no. : **11731001**



### Spare parts list

Year of production: >06/10

Pos.	Description	Part no.	Price	PU
1	escutcheon	95173000	-	1
2	handle for thermostat	11791001	-	1
3	adapter for handle	96435000	-	1
4	sleeve	97439000	-	1
5	O-Ring 48x3	95508000	-	1
6	set of fixing screws	96454000	-	1
7	holder for escutcheon	98793000	-	1
8	thermostat cartridge	96633000	-	1
9	sealing set	96636000	-	1
10	set of screws	96525000	-	1
11	O-ring 16x2	98133000	-	1
12	set of non return valves DW 15	97350000	-	1
13	extension 25 mm	13595000	-	1
14	extension 22 mm	98860000	-	1
a	base body	01850181	-	1