

AXOR Starck Organic
Thermostatic Trim with Volume Control
 Finishes : **chrome** Part no. : **12715001**



Description

Features

- Volume control for 1 outlet
- Flow: 6.0 GPM (22.7 L/Min)
- Thermostatic cartridge, Ceramic cartridge
- Anti-scald 100° safety stop

Item details

List Price \$ 891.00

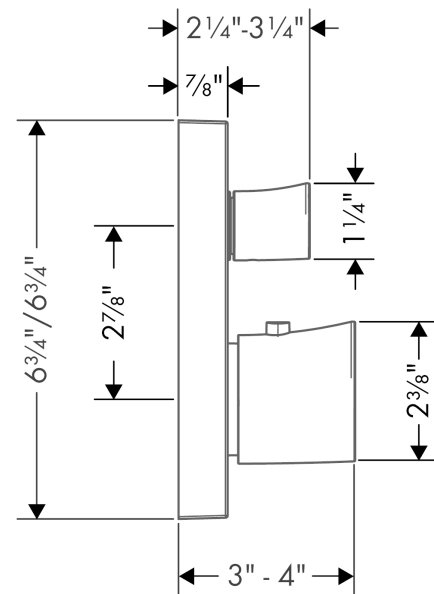
Compliance



Product image



Scale drawing

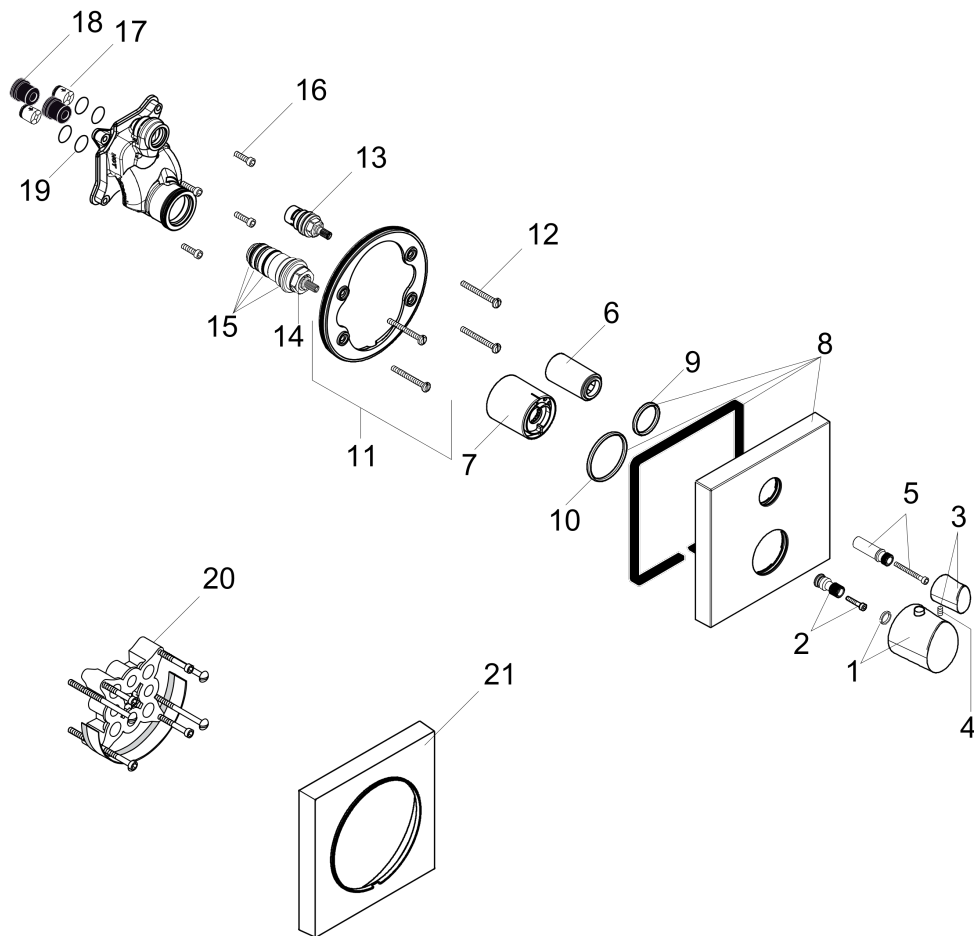


AXOR Starck Organic
Thermostatic Trim with Volume Control
 Finishes : **chrome** Part no. : **12715001**



Exploded drawing

Year of production: >03/13



AXOR Starck Organic
Thermostatic Trim with Volume Control
 Finishes : **chrome** Part no. : **12715001**



Spare parts list

Year of production: >03/13

Pos.	Description	Part no.	Price	PU
1	handle for thermostat	98313001	-	1
2	adapter for handle	96435000	-	1
3	handle	98316000	-	1
4	hollow set screw M5x16	97666000	-	1
5	adapter for handle	95256000	-	1
6	sleeve	96446000	-	1
7	sleeve	96439000	-	1
8	escutcheon	98317001	-	1
9	O-ring 29x3	98371000	-	1
10	O-Ring 48x3	95508000	-	1
11	holder for escutcheon	98793000	-	1
12	set of fixing screws	96454000	-	1
13	shut off unit right closing	94009000	-	1
14	thermostat cartridge	94282000	-	1
15	sealing set	95037000	-	1
16	set of screws	96525000	-	1
17	set of non return valves DW 15	94074000	-	1
18	noise reduction	94073000	-	1
19	O-ring 16x2	98133000	-	1
20	extension 25 mm	13595000	-	1
21	extension 22 mm	97407000	-	1
a	base body	01850181	-	1