

AXOR Montreux
4-hole rim mounted bath mixer with lever handles
Surfaces: **Polished Nickel** Article Number: **16555831**



Description

product features

- projection 197 mm
- flow rate at 3 bar: 20 l/min
- flow rate of hand shower at 3 bar: 6.8 l/min
- ceramic valves 90°
- non-return valve
- CEC/California/Watersaving
- cUPC/IAPMO/3016/Tap+shower/1,8pm
- DOE/FTC
- WaterSense/IAPMO/7286/Showers
- MASS/Massachusetts
- TECQ/Texas Registered

Technology



Product image

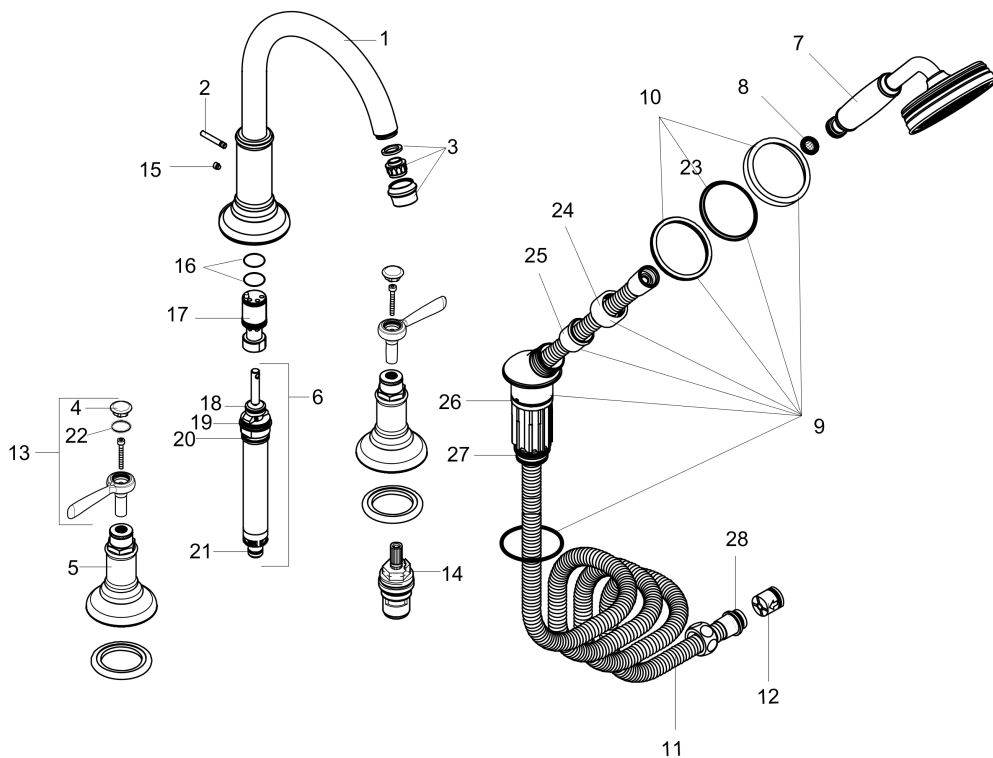


AXOR Montreux
4-hole rim mounted bath mixer with lever handles
 Surfaces: **Polished Nickel** Article Number: **16555831**



Exploded Drawing

Year of production: >01/19



AXOR Montreux
4-hole rim mounted bath mixer with lever handles
 Surfaces: **Polished Nickel** Article Number: **16555831**



Spare part list

Year of production: >01/19

Pos.	Description	Article Number	PC	PU
1	spout cpl.	98606830	0	1
2	diverter knob	98607830	0	1
3	aerator M22x1 (25 l/min)	98575830	0	1
4	set of screw covers, cold / hot water / neutral	97987000	0	1
5	escutcheon	98605830	0	1
6	selector assy	96775000	0	1
7	handshower	04695830	0	1
8	filter packing	94246000	0	1
9	shower holder, assy	96433830	0	1
10	escutcheon for shower holder	96237830	0	1
11	shower hose 2,00 m	94148000	0	1
12	set of non return valves DW 15	94074000	0	1
13	handle	16691830	0	1
14	shut off unit left closing	94008000	0	1
15	hollow set screw M6x6	97660000	0	1
16	O-ring 20x1,5	98197000	0	1
17	guide tube	92214000	0	1
18	O-Ring 14x2,5	98189000	0	1
19	O-Ring 23x2,5	98183000	0	1
20	O-Ring 22x2	98185000	0	1
21	O-ring 9x2,5	98217000	0	1
22	O-ring 16x2	98133000	0	1
23	escutcheon chuck	97105000	0	1
24	nut	97584830	0	1
25	insert for shower holder	96942000	0	1
26	O-ring 38x2,5	98198000	0	1
27	O-Ring 28x2	98194000	0	1
28	O-ring 11x2	98127000	0	1