

AXOR Citterio M
Thermostatic Trim with Volume Control and Diverter
 Finishes : **chrome** Part no. : **34725001**



Description

Features

- Volume control and diverter for 2 outlets
- Flow: 7.00 GPM (26.5 L/Min)
- Thermostatic cartridge, Shut-off/ diverter valve
- Anti-scald 100° safety stop

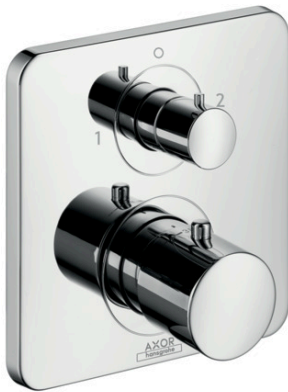
Item details

List Price \$ 1,014.00

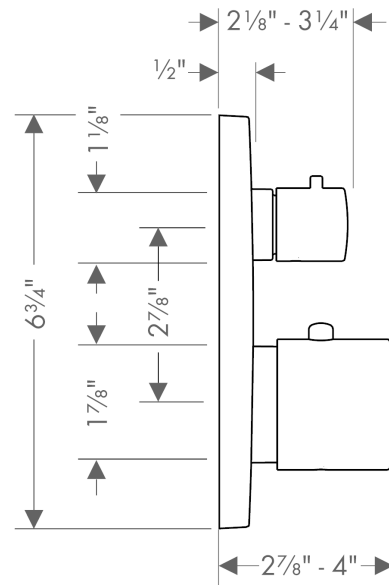
Compliance



Product image



Scale drawing

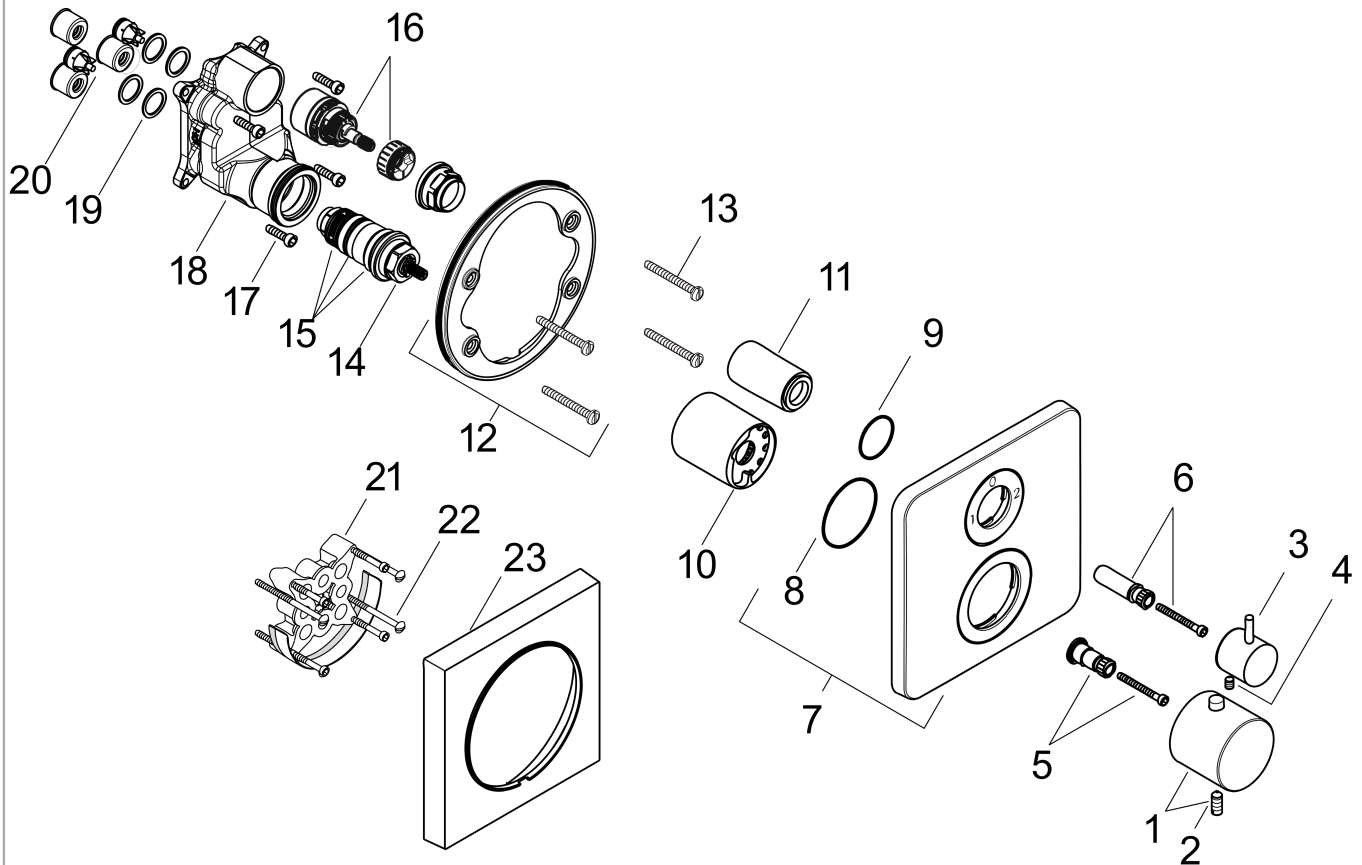


AXOR Citterio M
Thermostatic Trim with Volume Control and Diverter
 Finishes : **chrome** Part no. : **34725001**



Exploded drawing

Year of production: >10/13



AXOR Citterio M
Thermostatic Trim with Volume Control and Diverter
 Finishes : **chrome** Part no. : **34725001**



Spare parts list

Year of production: >10/13

Pos.	Description	Part no.	Price	PU
1	handle for thermostat	38391001	-	1
2	hollow set screw M5x16	97666000	-	1
3	handle	96520000	-	1
4	hollow set screw M4x8	97669000	-	1
5	adapter for handle	96435000	-	1
6	adapter for handle	96451000	-	1
7	escutcheon	95157000	-	1
8	O-Ring 48x3	95508000	-	1
9	O-ring 29x3	98371000	-	1
10	sleeve	96439000	-	1
11	sleeve	95253000	-	1
12	holder for escutcheon	98793000	-	1
13	set of fixing screws	96454000	-	1
14	thermostat cartridge	94282000	-	1
15	sealing set	95037000	-	1
16	shut off unit with selector	98283000	-	1
17	set of screws	96525000	-	1
18	installation unit cpl.	92592000	-	1
19	O-ring 16x2	98133000	-	1
20	set of non return valves DW 15	97350000	-	1
21	extension 25 mm	13595000	-	1
22	set of fixing screws	97747000	-	1
23	extension 22 mm	98860000	-	1