

AXOR Citterio E
Wall-Mounted Single-Handle Faucet Trim, 1.2 GPM
 Finishes : **chrome** Part no. : **36106001**



Description

Features

- Laminar spray
- Flow: 1.2 GPM (4.5 L/Min)
- Joystick ceramic cartridge

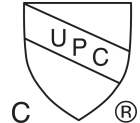
Item details

List Price \$ 1,038.00

Technology



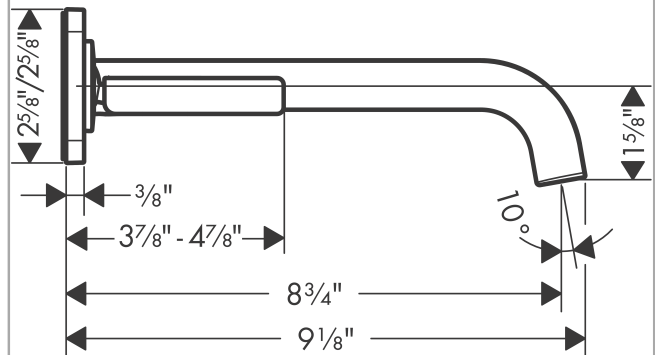
Compliance



Product image



Scale drawing

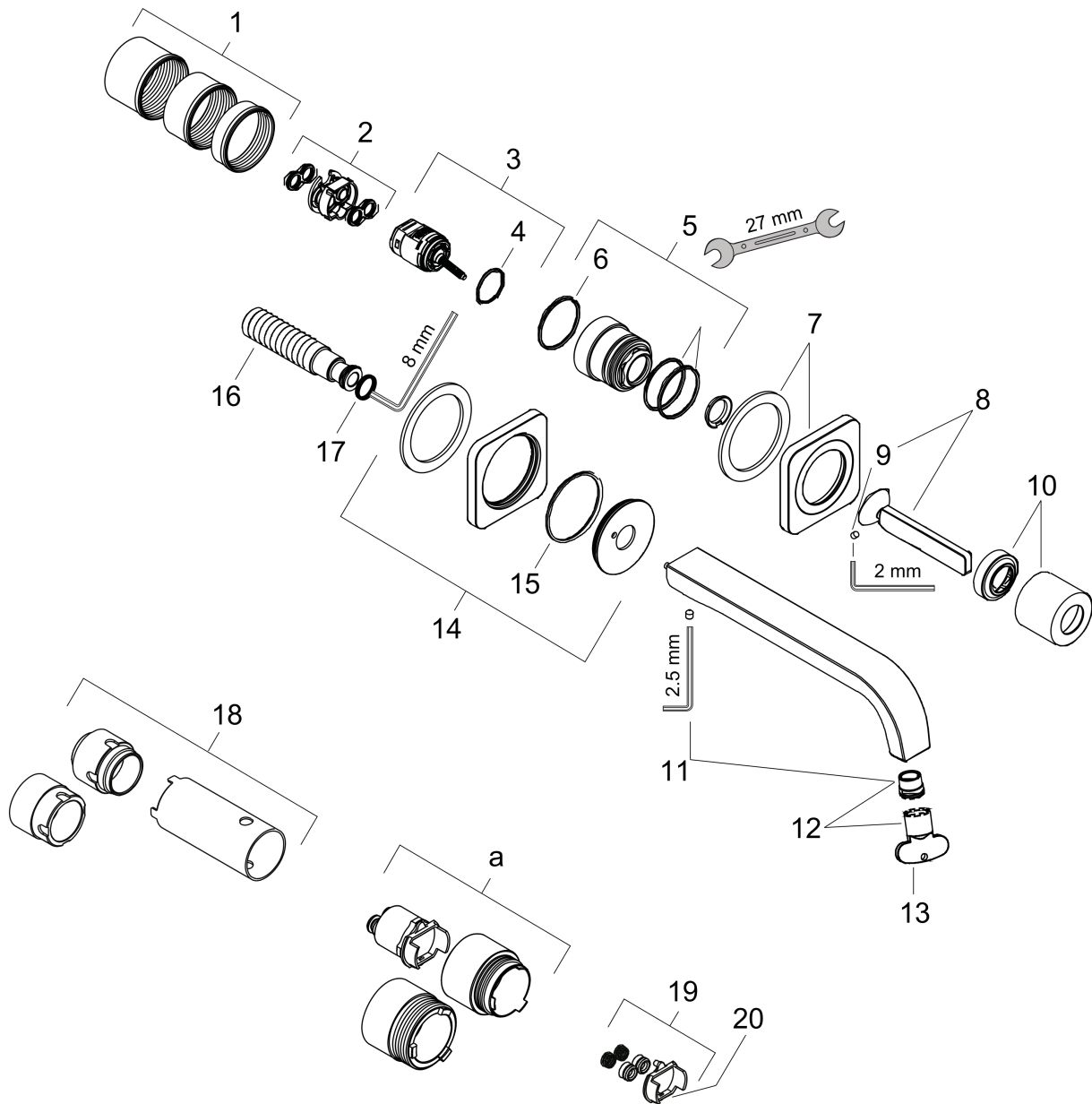


AXOR Citterio E
Wall-Mounted Single-Handle Faucet Trim, 1.2 GPM
 Finishes : **chrome** Part no. : **36106001**



Exploded drawing

Year of production: >07/16



AXOR Citterio E
Wall-Mounted Single-Handle Faucet Trim, 1.2 GPM
 Finishes : **chrome** Part no. : **36106001**



Spare parts list

Year of production: >07/16

Pos.	Description	Part no.	Price	PU
1	fixing set	97971000	-	1
2	adapter for cartridge	95644000	-	1
3	cartridge, assy	96783000	-	1
4	O-ring 21,95x1,78	95169000	-	1
5	nut	95777000	-	1
6	O-ring 34x2	98383000	-	1
7	escutcheon for handle	92334000	-	1
8	handle	92335000	-	1
9	hollow set screw M4x6	97767000	-	1
10	flange	95776000	-	1
11	spout 220 mm	92336000	-	1
12	aerator laminar M16,5x1 (4,5 l/min)	92876000	-	1
13	special tool	98987000	-	1
14	escutcheon for spout	92337000	-	1
15	O-ring 47x2	98392000	-	1
16	connecting thread G½	95626000	-	1
17	O-ring 13x2	98128000	-	1
18	extension set 25 mm for 13622180	31971000	-	1
19	conversion kit	95643000	-	1
20	adapter for cartridge	97280000	-	1
a	extension set for 38111180	38982000	-	1
b	Grease	90920000	-	1