

AXOR Citterio E
Wall-Mounted Widespread Faucet Trim with Base Plate, 1.2 GPM
 Finishes : **chrome** Part no. : **36115001**



Description

Features

- Laminar spray
- Flow: 1.2 GPM (4.5 L/Min)
- 90° ceramic valves

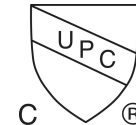
Item details

List Price \$ 1,195.00

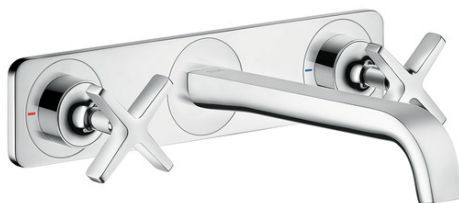
Technology



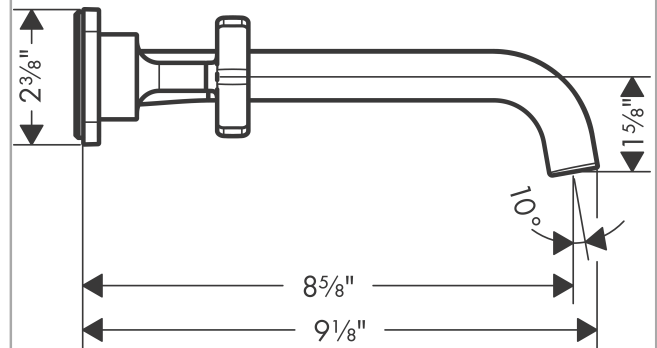
Compliance



Product image



Scale drawing

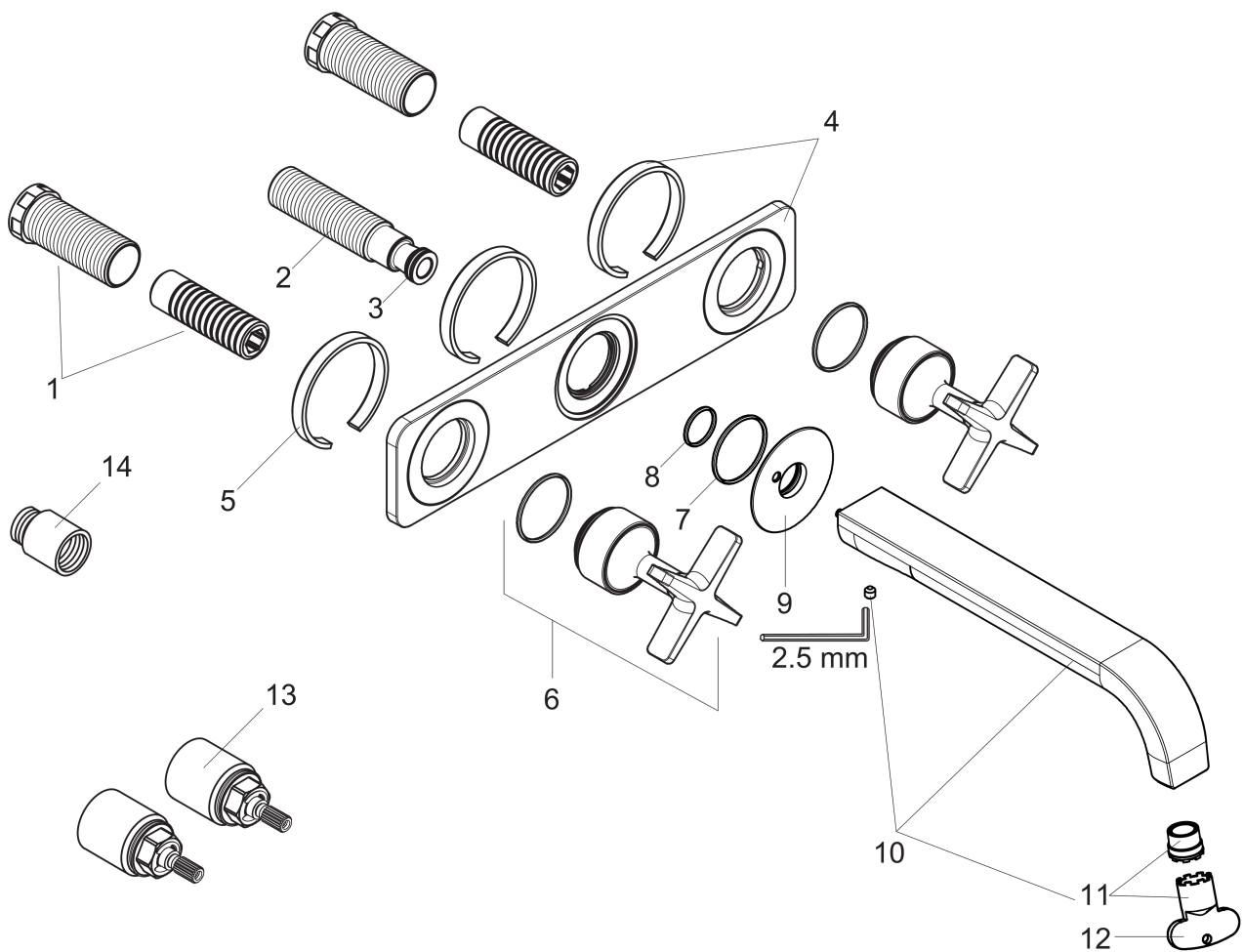


AXOR Citterio E
Wall-Mounted Widespread Faucet Trim with Base Plate, 1.2 GPM
 Finishes : **chrome** Part no. : **36115001**



Exploded drawing

Year of production: >07/16



AXOR Citterio E
Wall-Mounted Widespread Faucet Trim with Base Plate, 1.2 GPM
 Finishes : **chrome** Part no. : **36115001**



Spare parts list

Year of production: >07/16

| Pos. | Description | Part no. | Price | PU |
|------|-------------------------------------|----------|-------|----|
| 1 | fixing set | 96393000 | - | 1 |
| 2 | connecting thread G½ | 95626000 | - | 1 |
| 3 | O-ring 13x2 | 98128000 | - | 1 |
| 4 | escutcheon | 92344000 | - | 1 |
| 5 | seal | 97530000 | - | 1 |
| 6 | handle | 92343000 | - | 1 |
| 7 | O-ring 30x1,5 | 98433000 | - | 1 |
| 8 | O-ring 17x1,5 | 98137000 | - | 1 |
| 9 | escutcheon for spout | 92342000 | - | 1 |
| 10 | spout 220 mm | 92336000 | - | 1 |
| 11 | aerator laminar M16,5x1 (4,5 l/min) | 92876000 | - | 1 |
| 12 | special tool | 98987000 | - | 1 |
| 13 | extension 25 mm | 96259000 | - | 1 |
| 14 | extension 25 mm | 95413000 | - | 1 |
| a | waste | 50001000 | - | 1 |
| b | Grease | 90920000 | - | 1 |