

**AXOR ShowerSelect**  
**Thermostatic Trim Square for 2 Functions**  
 Finishes : **brushed nickel** Part no. : **36715821**



**Description**

**Features**

- Outlets may be operated simultaneously
- Select push-button on/off control for 2 outlets
- Flow: 8.0 GPM (30.3 L/Min) / 2.0 GPM (7.6 L/Min)
- Thermostatic cartridge, Start/stop cartridge
- Anti-scald 100° safety stop
- Optimized for water-efficient shower products
- Includes optional accessory to limit total flow to 2.0 GPM @ 80 psi where required

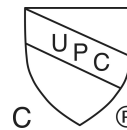
**Item details**

List Price \$ 1,598.00

**Technology**



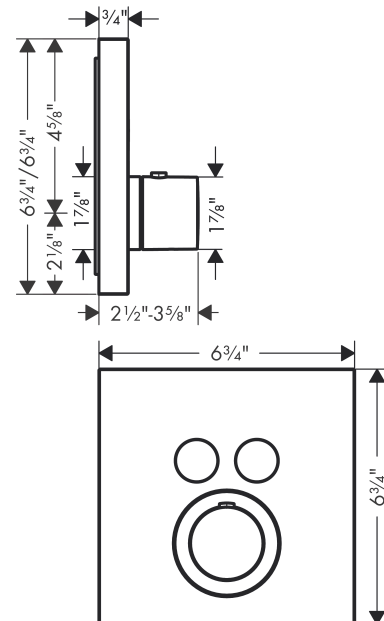
**Compliance**



**Product image**



**Scale drawing**

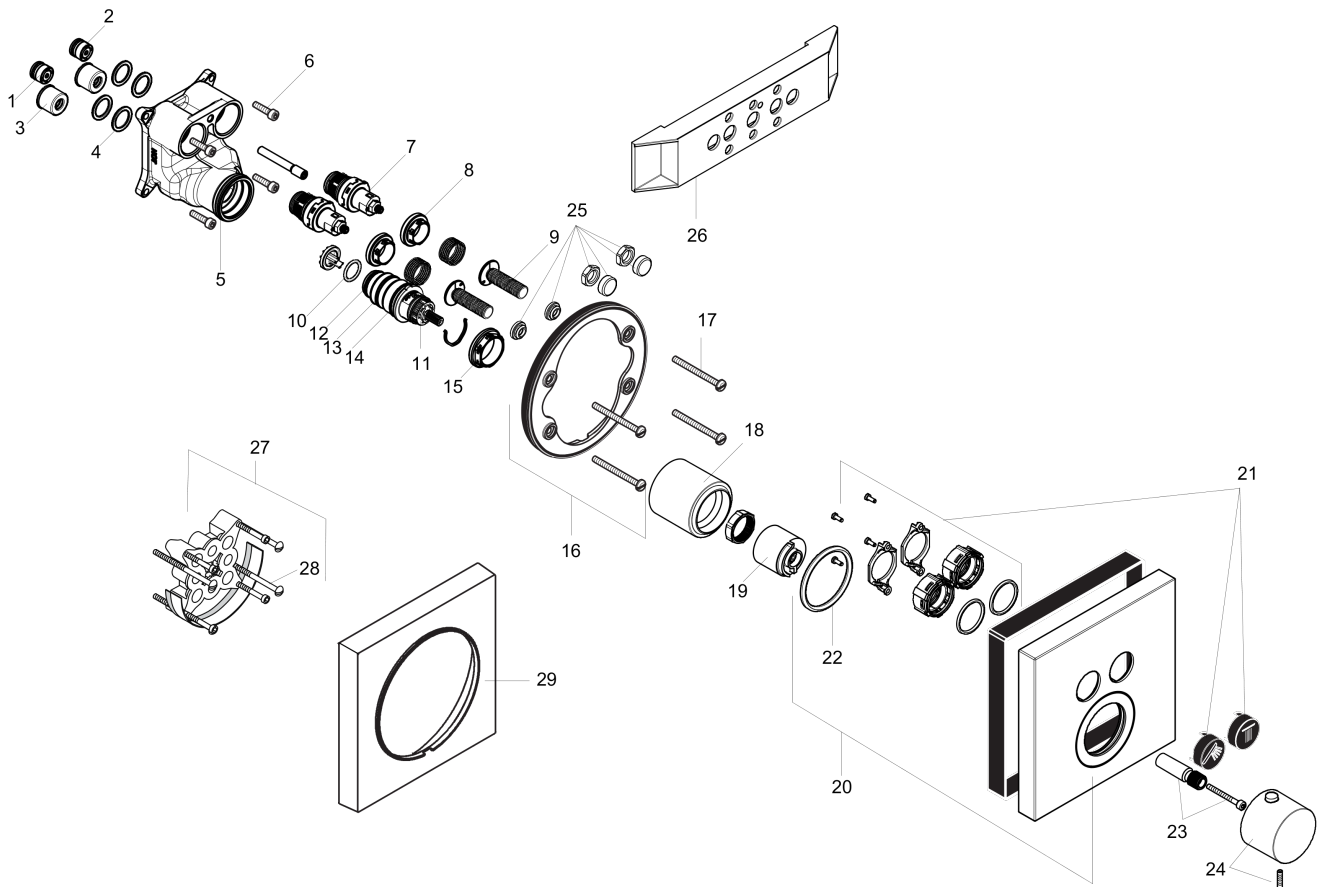


**AXOR ShowerSelect**  
**Thermostatic Trim Square for 2 Functions**  
 Finishes : **brushed nickel**    Part no. : **36715821**



**Exploded drawing**

Year of production: >01/16



**AXOR ShowerSelect**  
**Thermostatic Trim Square for 2 Functions**  
 Finishes : **brushed nickel** Part no. : **36715821**



## Spare parts list

Year of production: >01/16

Pos.	Description	Part no.	Price	PU
1	non return valve (pressure-resistant up to 2 MPa)	92594000	-	1
2	non return valve	97980000	-	1
3	noise reduction	94073000	-	1
4	O-ring 16x2	98133000	-	1
5	O-ring 36x2	98156000	-	1
6	set of screws	96525000	-	1
7	shut off unit	95758000	-	1
8	nut	98368000	-	1
9	Select-adapter	92219000	-	1
10	O-ring 16x2,5	98134000	-	1
11	thermostat cartridge	98282001	-	1
12	O-ring 20x1,5	98197000	-	1
13	O-ring 25x1,5	98146000	-	1
14	O-ring 25x2,5	92146000	-	1
15	nut	98913000	-	1
16	holder for escutcheon	98793000	-	1
17	set of fixing screws	96454000	-	1
18	sleeve	92546820	-	1
19	safety set for temperature control	97334000	-	1
20	escutcheon 170 / 170 mm	92642821	-	1
21	set of symbols	92544610	-	1
22	O-Ring 48x3	95508000	-	1
23	adapter for handle	98701000	-	1
24	handle for thermostat	92534820	-	1
25	nut and flange	92696000	-	1
26	fit-up aid	92540000	-	1
27	extension 25 mm	13595000	-	1
28	set of fixing screws	97747000	-	1
29	extension 22 mm	97407820	-	1
a	Grease	90920000	-	1
b	compensation set 1°	95521000	-	1
c	symbol head shower Rain large	93571610	-	1
d	symbol head shower Rain small	93572610	-	1
e	symbol handshower	93573610	-	1
f	symbol Flood jet	93574610	-	1
g	symbol Whirl	93575610	-	1
h	symbol Mono	93576610	-	1
i	symbol tub	93577610	-	1
j	symbol body shower	93578610	-	1
k	symbol ON/OFF	93579610	-	1