

AXOR Uno
Thermostatic Trim HighFlow
 Finishes : **chrome** Part no. : **38715001**



Description

Features

- Flow: 13.0 GPM (49.2 L/Min)
- Thermostatic cartridge
- Anti-scald 100° safety stop

Item details

List Price \$ 798.00

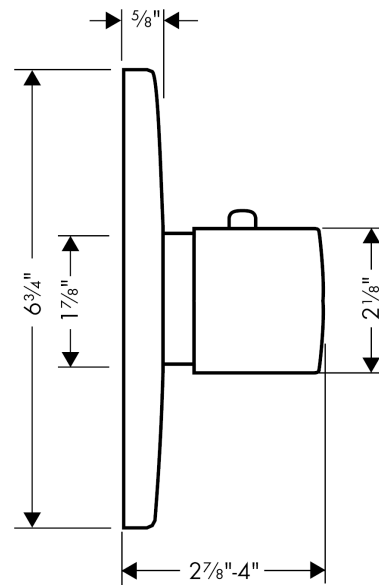
Compliance



Product image



Scale drawing

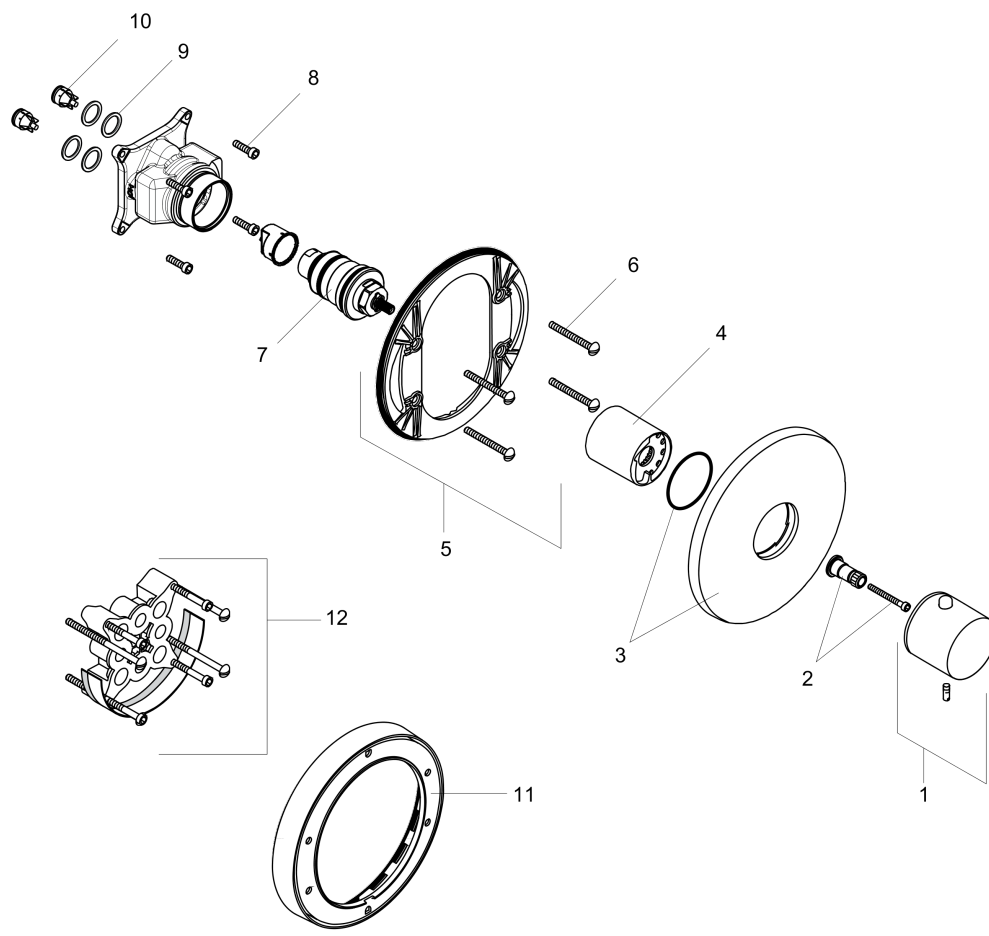


AXOR Uno
Thermostatic Trim HighFlow
 Finishes : **chrome** Part no. : **38715001**



Exploded drawing

Year of production: >06/09



AXOR Uno
Thermostatic Trim HighFlow
 Finishes : **chrome** Part no. : **38715001**



Spare parts list

Year of production: >06/09

| Pos. | Description | Part no. | Price | PU |
|------|--------------------------------|----------|-------|----|
| 1 | handle for thermostat | 38391001 | - | 1 |
| 2 | adapter for handle | 96435000 | - | 1 |
| 3 | escutcheon Ø 170 mm | 96452000 | - | 1 |
| 4 | sleeve | 97439000 | - | 1 |
| 5 | sub plate | 96447000 | - | 1 |
| 6 | set of screws | 96525000 | - | 1 |
| 7 | thermostat cartridge | 96633000 | - | 1 |
| 8 | set of fixing screws | 96454000 | - | 1 |
| 9 | O-ring 16x2 | 98133000 | - | 1 |
| 10 | set of non return valves DW 15 | 97350000 | - | 1 |
| 11 | extension 22 mm (Ø 170 mm) | 13596000 | - | 1 |
| 12 | extension 25 mm | 13595000 | - | 1 |