

**AXOR Citterio**  
**Thermostatic Trim HighFlow with Cross Handle**  
 Finishes : **chrome** Part no. : **39716001**



**Description**

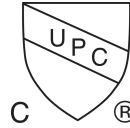
**Features**

- Flow: 13.0 GPM (49.2 L/Min)
- Thermostatic cartridge
- Anti-scald 100° safety stop

**Item details**

List Price \$ 1,208.00

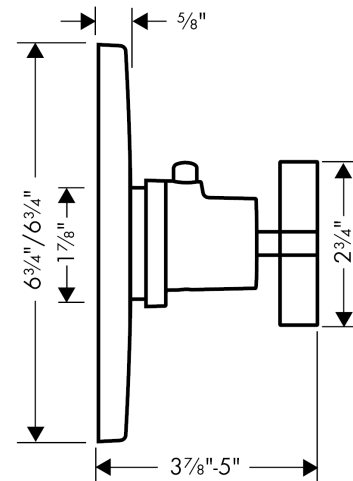
**Compliance**



**Product image**



**Scale drawing**

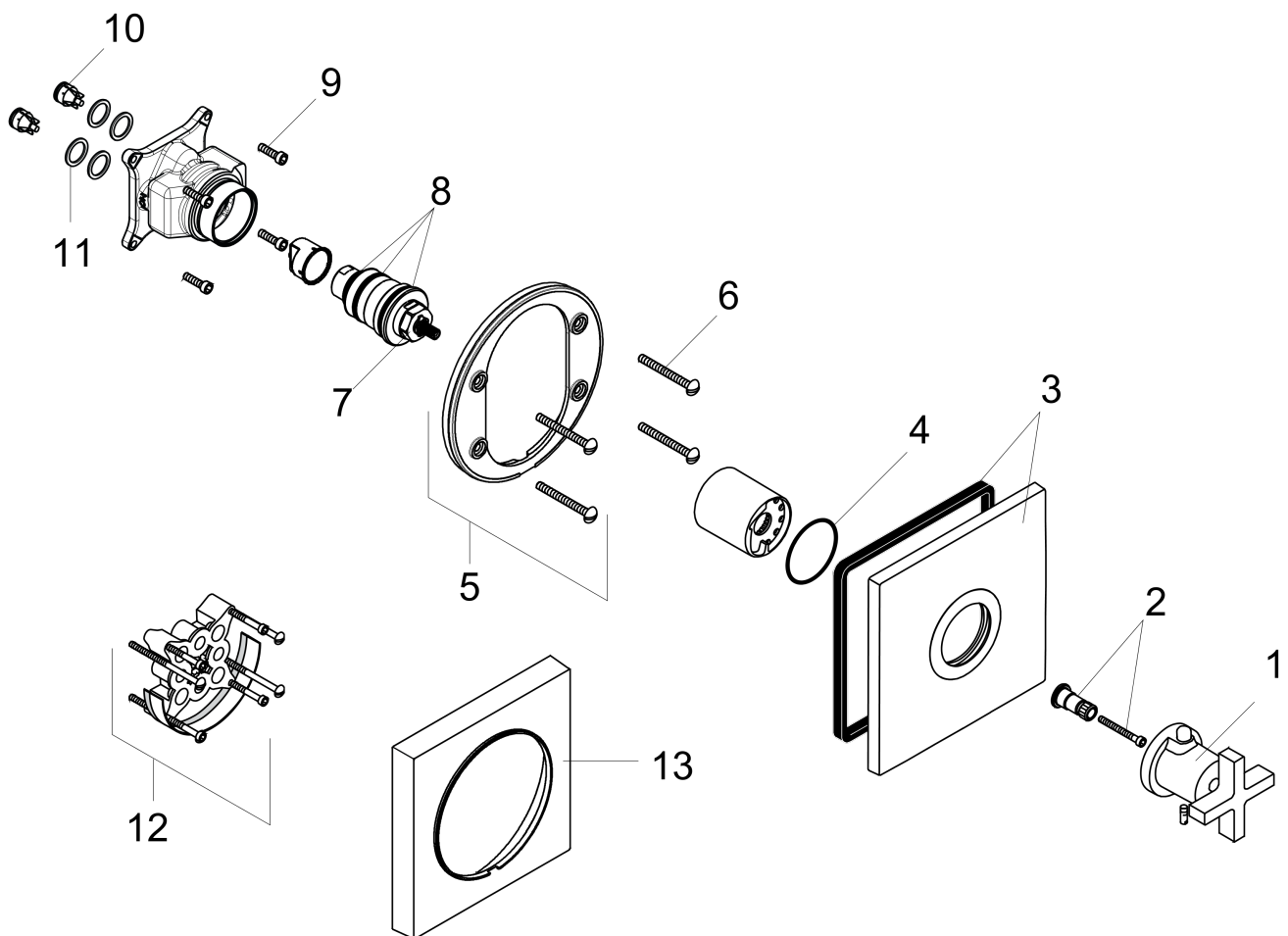


**AXOR Citterio**  
**Thermostatic Trim HighFlow with Cross Handle**  
 Finishes : **chrome**    Part no. : **39716001**



Exploded drawing

Year of production: >06/09



**AXOR Citterio**  
**Thermostatic Trim HighFlow with Cross Handle**  
 Finishes : **chrome**    Part no. : **39716001**



## Spare parts list

Year of production: >06/09

| Pos. | Description                    | Part no. | Price | PU |
|------|--------------------------------|----------|-------|----|
| 1    | handle for thermostat          | 39391001 | -     | 1  |
| 2    | adapter for handle             | 96435000 | -     | 1  |
| 3    | escutcheon 170 / 170 mm        | 96749000 | -     | 1  |
| 4    | O-ring 48x5                    | 98174000 | -     | 1  |
| 5    | holder for escutcheon          | 98793000 | -     | 1  |
| 6    | set of fixing screws           | 96454000 | -     | 1  |
| 7    | thermostat cartridge           | 96633000 | -     | 1  |
| 8    | sealing set                    | 96636000 | -     | 1  |
| 9    | set of screws                  | 96525000 | -     | 1  |
| 10   | set of non return valves DW 15 | 97350000 | -     | 1  |
| 11   | O-ring 16x2                    | 98133000 | -     | 1  |
| 12   | extension 22 mm                | 97407000 | -     | 1  |
| 13   | extension 25 mm                | 13595000 | -     | 1  |
| a    | sleeve                         | 97439000 | -     | 1  |