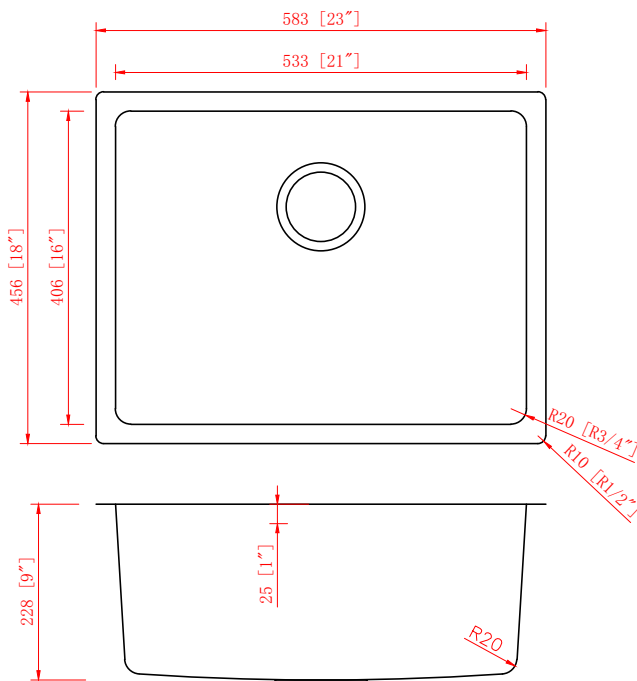
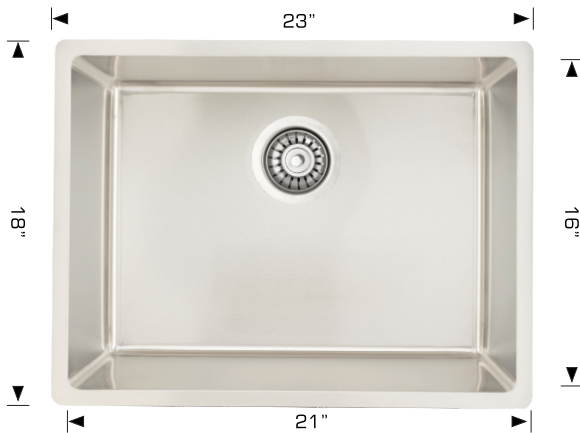


Standard Series - Model: 207114

Radius Corner

Rear positioned drain holes to maximize usable bowl and cabinet storage space below



Specifications:

- Undermount
- 304 stainless steel
- 18 gauge
- Satin finish
- Bowl corner radius of 20mm
- Undermount clips
- Template
- Strainer
- 9" Deep

Outside: 23" x 18" x 9"
Inside: 21" x 16" x 9"

Minimum cabinet size 26"

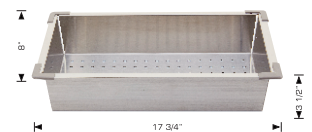
Certification/Warranty

- ASME A 112.19.3
- CSA B45.4
- Limited Lifetime Warranty

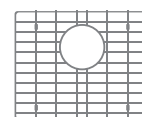
Optional Accessories



Plate Holder
Model: 202041



Colander
Model: 202040



Grid
Model: G207114



Cutting Board
Model: 202020

Bosco Canada Inc. is known around the world for producing high quality kitchen sinks that incorporate modern design and functional superiority in every piece they manufacture.