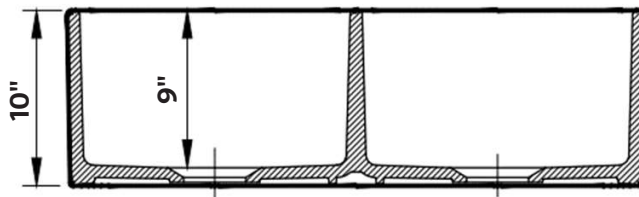
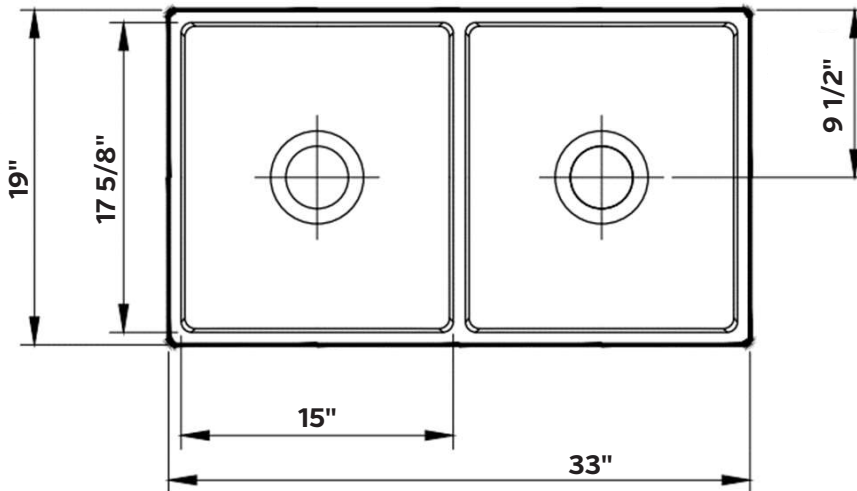




#1902-WH Shown

## Ramsay Kitchen Sink #1902-WH | 33" x 19" x 10"

Cheviot kitchen sinks are crafted from pressure cast fireclay for paralleled density and durability. Thanks to a high-tech glazing technology, the sinks are resistant to chipping due to sudden heat changes and impacts, and inhibit harmful bacteria growth by 99.9%. Cheviot kitchen sinks are a true luxury upgrade to any home.



### Construction

Pressure Cast Fireclay  
Hygiene Glaze

### Drillings

No Faucet Hole

### Colours

Gloss White, Matte Black

### Note

Rough-in dimensions may vary +/- 1/2" and are subject to change. No responsibility is assumed by Cheviot Products Inc. One Year Limited Warranty against manufacturer's defects.

### Product Details

- Minimum Base Cabinet: 33"
- Standard 3.5" Drain Outlet
- 77.2 lbs.
- Stainless Steel Grid with Bumpers Included
- Strainer Included

### Features

- Resistant to chipping due to sudden heat changes and impacts due to high-tenacity glaze.
- Hygiene glaze inhibits growth of harmful bacteria by 99.9%.
- Compatible with Garbage Disposals.

### Installation

- Installation Manual Included
- Apron Front: Install either under counter or counter surface level
- Reversible Installation: Install with either rounded or straight edges out
- Compatible with Garbage Disposal Installations

### Codes/Standards

- ASME A112.19.2-2018/CSA B45.1-18
- Tested for Prop65 and FDA.

