

CASSIDY II

SEMI-RECESSED SINK

- 4313DNX Single Hole
- 4343DNX 4" Center
- 4383DNX 8" Center

*** Special Order Only** (See Price Book for Details)

- 4313DNX-SO Single Hole (Sealed Overflow)
- 4343DNX-SO 4" Center (Sealed Overflow)
- 4383DNX-SO 8" Center (Sealed Overflow)

PRODUCT SPECS:

- Fine Fireclay
- Rear overflow hole
- Single hole, 4" or 8" faucet centers
- Mounting screws and cut-out template supplied
- Wall secured lavatory for countertop or vanity installation
- Back of sink is not glazed, follow spec drawing to be installed flush against back wall
- Faucet not included

COMPLIANCE CERTIFICATIONS

- Meets or exceeds the following:
- IAPMO cUPC
 - ASME A112.19.2 / CSA B45.1
 - ADA Guidelines & ANSI A117.1
 - NBC and OBC Section 3.8 Barrier Free design and CSA B651 Standard

SHIPPING

- Cube 2.82
- GW 46 lbs

DIMENSIONS:

645mm W x 555mm D x 175mm H
 25³/₈" W x 21¹/₈" D x 6⁷/₈" H

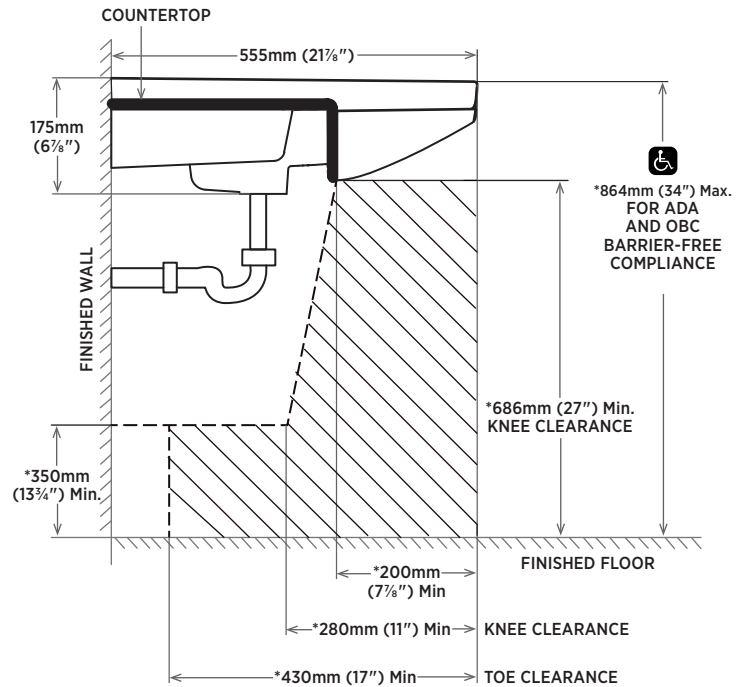
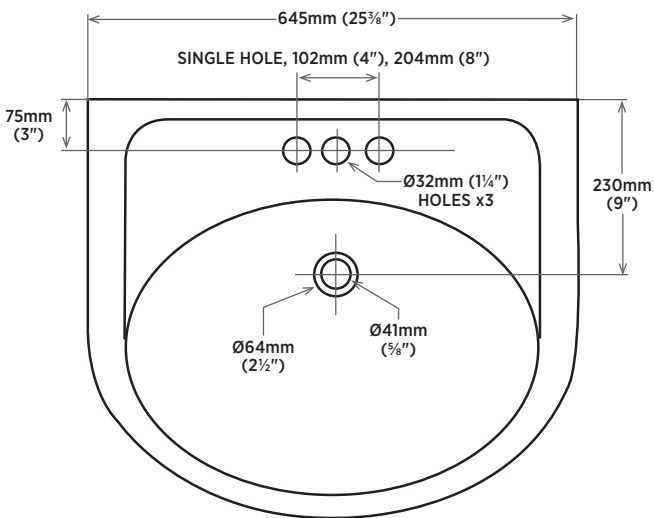


TO BE SPECIFIED

- Colour:
 ■ Soft White

NOTES: Dimensions of fixtures are nominal and may vary within the range of tolerances established by ASME standard A112.19.2. These measurements are subject to change or cancellation. No responsibility is assumed for use of superseded or voided pages.

Products are designed to comply ADA/ANSI A117.1, CSA B651 Standard and OBC barrier-free. It shall be the responsibility of the installer to comply with the local disability codes and standards prior to installing the product.



NOTE: Starred measurements comply with ADA and OBC barrier free accessibility requirements.