

CATENA

RECTANGULAR UNDERMOUNT SINK

4210CIY Undermount Sink

PRODUCT SPECS:

- Vitreous china
- Front overflow hole
- Template and mounting hardware supplied

COMPLIANCE CERTIFICATIONS

- Meets or exceeds the following:
- IAPMO cUPC
 - ASME A112.19.2 / CSA B45.1
 - OBC Section 3.8 Barrier Free design and CSA B651 Standard

DIMENSIONS:

Outer:

510mm W x 390mm D x 190mm H
20" W x 15³/₈" D x 7¹/₂" H

SHIPPING

Cube 1.72
GW 27 lbs

Inner:

458mm W x 340mm D x 140mm H
18" W x 13³/₈" D x 5¹/₂" H



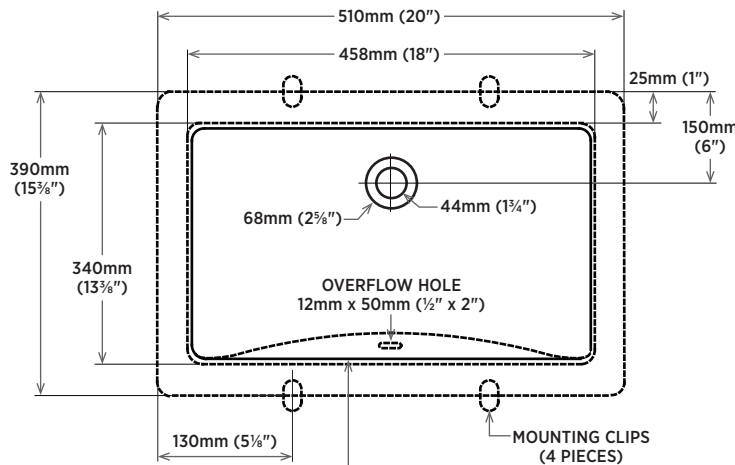
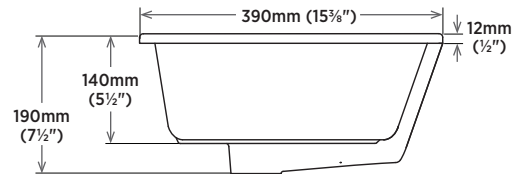
TO BE SPECIFIED

Colour:

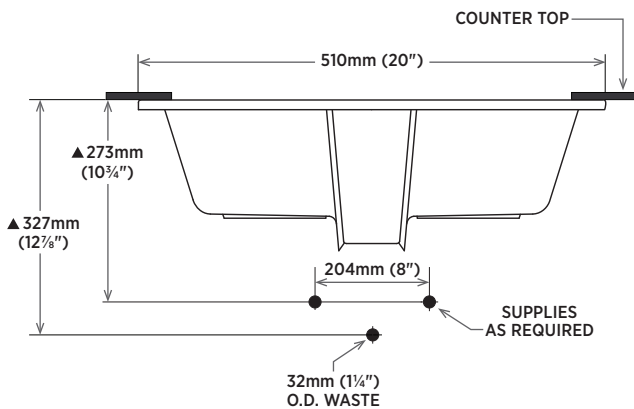
- Soft White

NOTES: Dimensions of fixtures are nominal and may vary within the range of tolerances established by ASME standard A112.19.2. These measurements are subject to change or cancellation. No responsibility is assumed for use of superseded or voided pages.

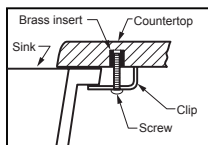
Products are designed to comply with CSA B651 Standard and OBC barrier-free requirements. It shall be the responsibility of the installer to comply with the local disability codes and standards prior to installing the product.



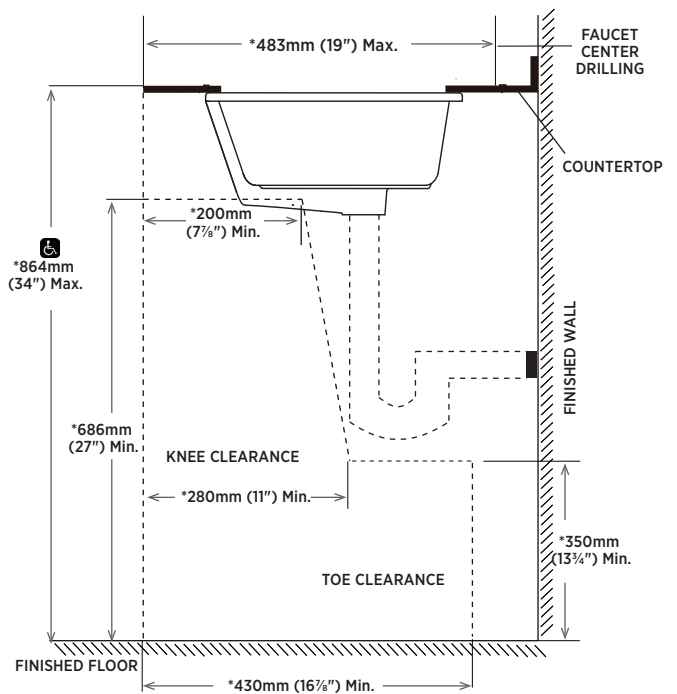
COUNTERTOP CUT OUT (TEMPLATE SUPPLIED)



DETAIL OF MOUNTING CLIP



Note: ▲ Dimensions shown for location of supplies and "P" trap are suggested.



NOTE: * Starred measurements comply with CSA B651 and OBC barrier free accessibility requirements.

REVISED MAY 2020

contrac

5970 CHEDWORTH WAY, UNIT B, MISSISSAUGA, ONTARIO, CANADA L5R 4G5 | CONTRAC.CA