

CILA ONE PIECE TOILET

3.5Lpf / 0.92Gpf

□ 4710BOXU Unlined Tank

PRODUCT SPECS

- Ultra high efficiency toilet
- 3.5Lpf / 0.92Gpf
- Elongated bowl with concealed skirted trapway
- Vitreous china
- 17" Plus Height for greater comfort
- Soft white tank lever
- 12" (305mm) Rough-in
- 2" Fully glazed ball pass trapway
- 3" Flapper
- Siphone jet flush action
- Water surface: 7 $\frac{5}{8}$ " x 5 $\frac{5}{8}$ " (198mm x 143mm)
- Decorative soft white side caps included
- Smooth close toilet seat included

DIMENSIONS

391mm W x 725mm D x 765mm H
15 $\frac{3}{8}$ " W x 28 $\frac{1}{2}$ " D x 30 $\frac{3}{8}$ " H

COMPLIANCE CERTIFICATIONS

Meets or exceeds the following:

- IAPMO cUPC
- ASME A 112.19.2 / CSA B45.1
- ADA Guidelines & ANSI A117.1
- CSA B651 barrier-free standard
- IAPMO Green, Calgreen and LEED Compliant
- US EPA WaterSense
- MaP Premium Tested 800g

SHIPPING

Cube 9.39
GW 92.5 lbs



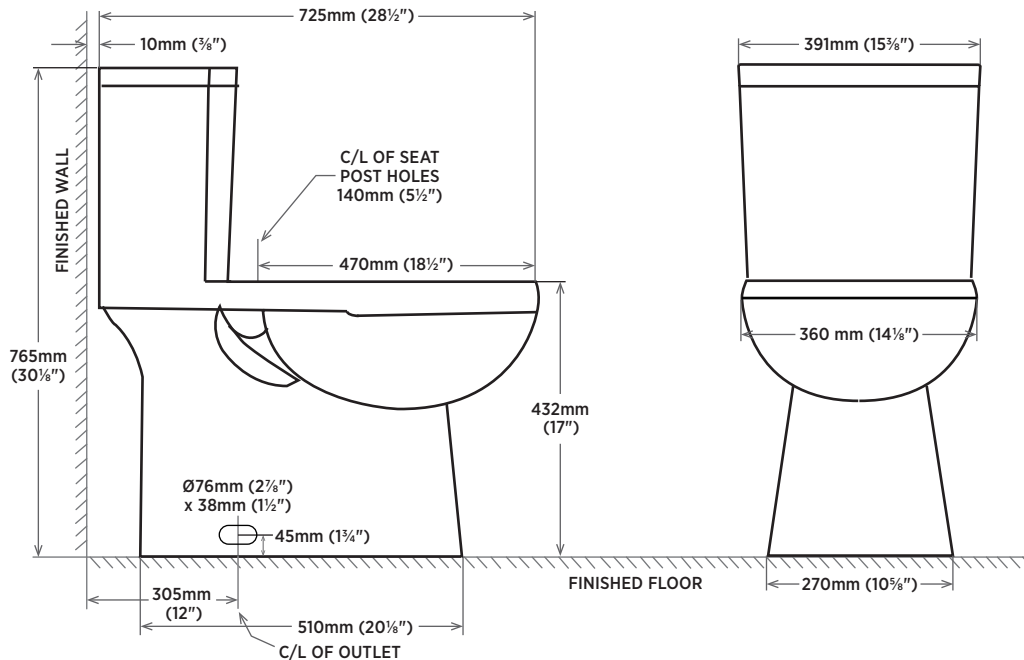
TO BE SPECIFIED

Colour:
■ Soft White

NOTES: This toilet is designed to rough-in at a minimum dimension of 305mm (12") from finished wall to C/L of outlet. Supply line not included with fixture and must be ordered separately.

Important: Dimensions of fixtures are nominal and may vary within the range of tolerances established by ASME standard A112.19.2. These measurements are subject to change or cancellation. No responsibility is assumed for use of superseded or voided pages.

Product is designed to comply with ADA / ANSI A117.1 and CSA B651 Barrier-Free Standard requirements, if installed according to the standard and local building codes. It is the responsibility of the installer to comply with this standard and local building codes prior to installation.



REVISED APRIL 2020