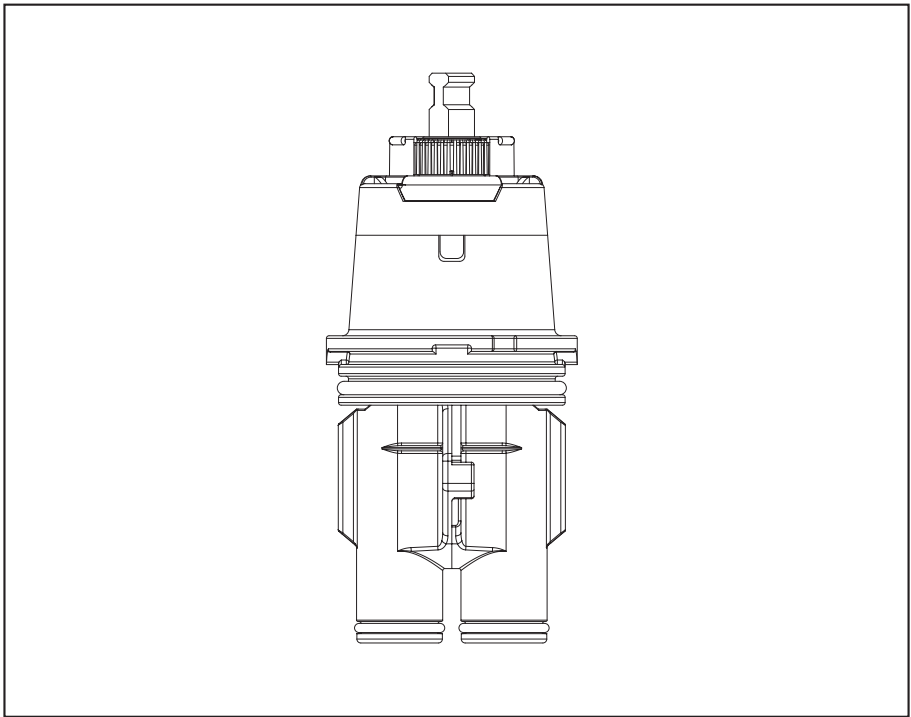


RP73598

Submitted Model No.: \_\_\_\_\_

Specific Features: \_\_\_\_\_



**MULTICHOICE<sup>®</sup>  
UNIVERSAL  
HIGH FLOW  
NON PRESSURE  
BALANCE**

■ High Flow Non Pressure Balance Cartridge

**STANDARD SPECIFICATIONS:**

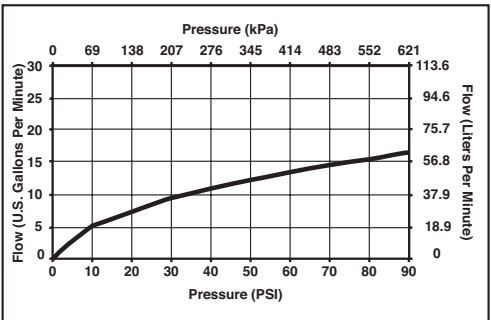
- High flow non pressure balance cartridge.
- 13.5 gpm @ 60 PSI. 51.1 L/min @ 414kPa
- Must order R10000 rough separately.
- Adjustable rotational limit stop.
- Warning: This is not a pressure balance cartridge. This is not for use in showering applications in the USA or Canada.

**WARRANTY**

- Lifetime limited warranty on parts (other than electronic parts and batteries) and finishes; or, for commercial users, for 5 years from date of purchase.
- 5 year limited warranty on electronic parts (other than batteries); or, for commercial users, for 1 year from the date of purchase. No warranty is provided on batteries.

**COMPLIES WITH:**

- ASME A112.18.1 / CSA B125.1



Delta reserves the right (1) to make changes in specifications and materials, and (2) to change or discontinue models, both without notice or obligation. Dimensions are for reference only. See current full-line price book or [www.deltafaucet.com](http://www.deltafaucet.com) for finish options and product availability2

