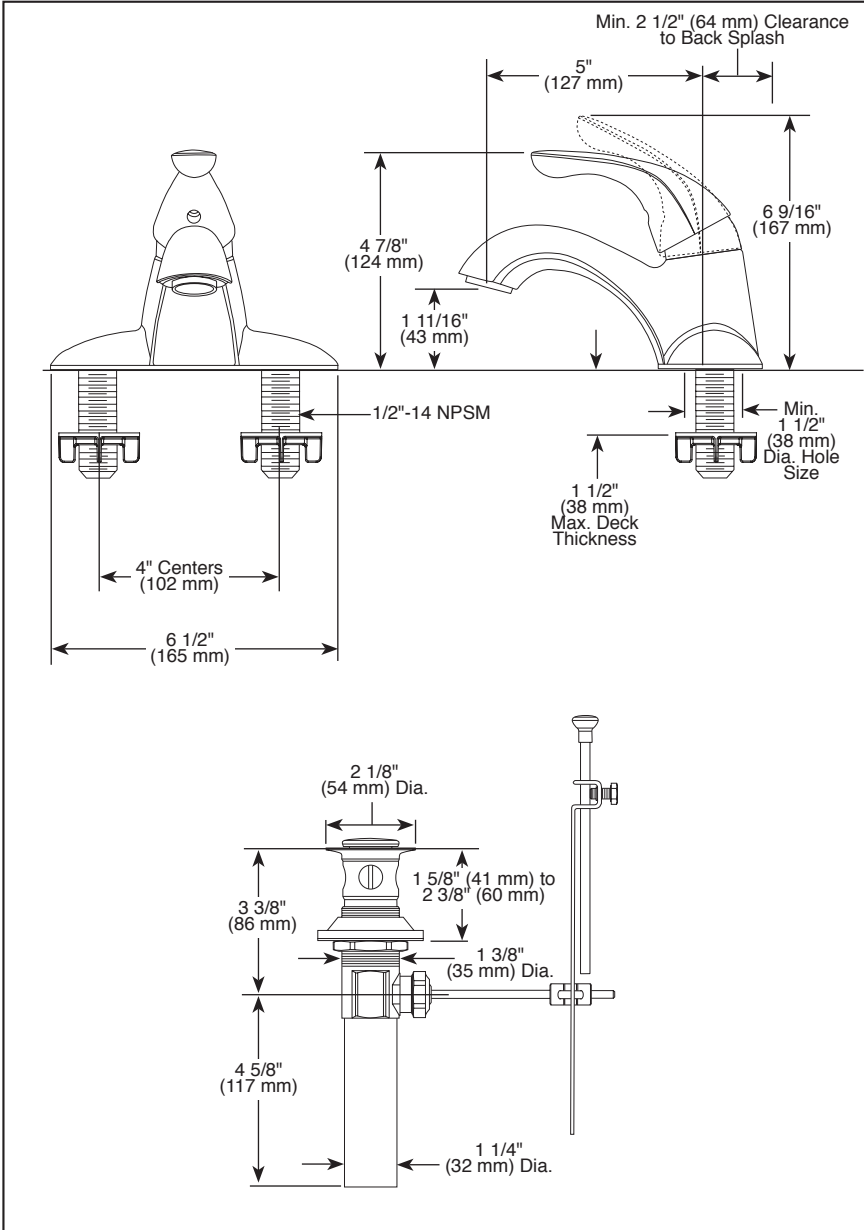


Submitted Model No.: _____

Specific Features: _____



see what Delta can do™

LAVATORY FAUCETS

- Single Handle
- City Shanks

STANDARD SPECIFICATIONS:

- Maximum 1.2 gpm @ 60 psi, 4.5 L/min @ 414 kPa
- Two or three hole mount
- Solid brass fabricated body
- 1/2" (305 mm) threaded metal "City Shanks"
- Vandal resistant lever handle. Red/blue colored graphics indicate hot/cold temperature.
- Diamond coated ceramic cartridge
- Adjustable handle limit stop
- Available option for field conversion:
6" (152 mm) long elbow handle-red/blue colored graphics indicate hot/cold temperature. Order RP54687.
- Vandal resistant aerator or spray outlet
- Metal pop-up drain (525LF)
- Lift rod hole (525LF); no lift rod hole (505LF)

WARRANTY

- Lifetime limited warranty on parts (other than electronic parts and batteries) and finishes: or, for commercial users, for 5 years from date of purchase.
- 5 year limited warranty on electronic parts (other than batteries); or, for commercial users, for 1 year from the date of purchase. No warranty is provided on batteries.



COMPLIES WITH:

- ASME A112.18.1 / CSA B125.1
- ASME A112.18.2 / CSA B125.2
- Indicates compliance to ICC/ANSI A117.1
- EPA WaterSense®
- Verified compliant with .25% weighted average Pb content regulations.