

**Focus**

**Widespread Faucet 100 with Pop-Up Drain, 1.2 GPM**

Finishes : **chrome** Part no. : **04369000**



**Description**

**Features**

- Aerated spray
- Flow: 1.2 GPM (4.5 L/Min)
- 90° ceramic valves
- Includes pop-up drain
- California Low Lead / Section 116875 CHSC

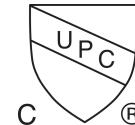
**Item details**

List Price \$ 377.00

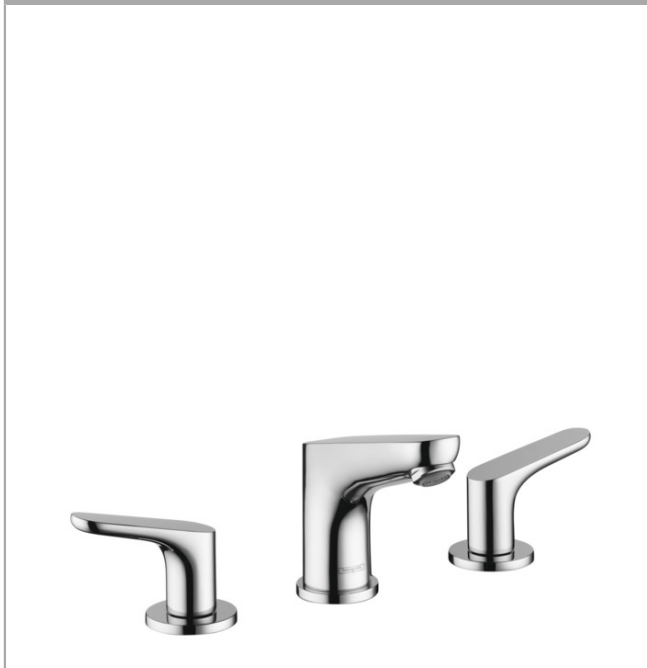
**Technology**



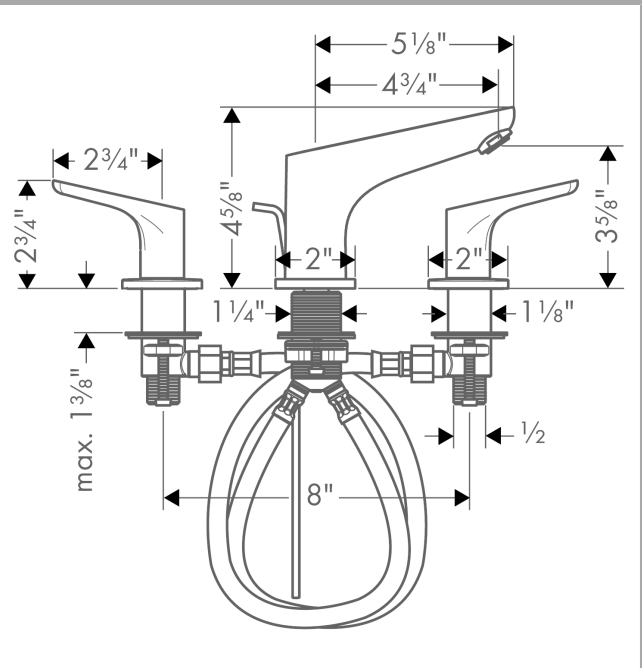
**Compliance**



**Product image**



**Scale drawing**



**Focus**

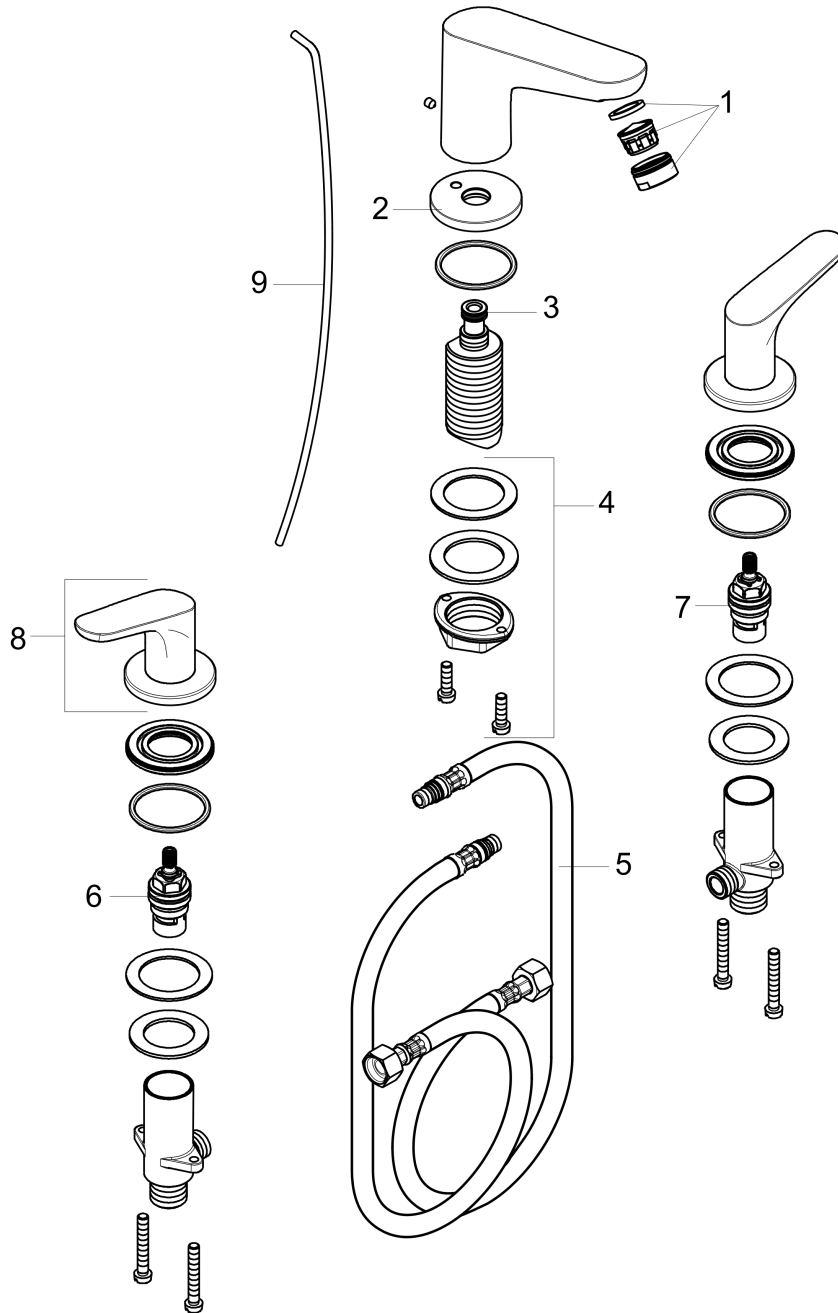
**Widespread Faucet 100 with Pop-Up Drain, 1.2 GPM**

Finishes : **chrome** Part no. : **04369000**



**Exploded drawing**

Year of production: >07/16



**Focus**

**Widespread Faucet 100 with Pop-Up Drain, 1.2 GPM**

Finishes : **chrome** Part no. : **04369000**



**Spare parts list**

Year of production: >07/16

Pos.	Description	Part no.	Price	PU
1	aerator M24x1 (4,5 l/min)	92879000	-	1
2	escutcheon for spout	97505000	-	1
3	O-ring 11x2	98127000	-	1
4	fixing set (Ø 32)	13961000	-	1
5	connection hose 17½" M10x1 3/8"	94071001	-	1
6	shut off unit right closing	94009000	-	1
7	shut off unit left closing	94008000	-	1
8	handle	95930001	-	1
9	pull rod	96657000	-	1
a	pop up waste	88509000	-	1