

**Commercial Pressure Balance Trim S**  
 Finishes : **chrome** Part no. : **04441000**



**Description**

**Features**

- Flow: 5.5 GPM (20.6 L/Min)
- Integrated bypass for use with diverter tub spouts
- Temperature and on/off control for 1 outlet

**Item details**

List Price \$ 185.00

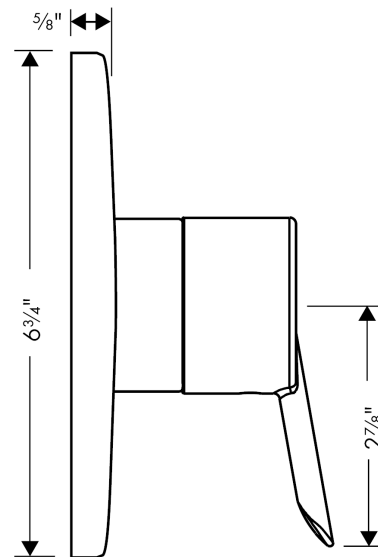
**Compliance**



**Product image**



**Scale drawing**

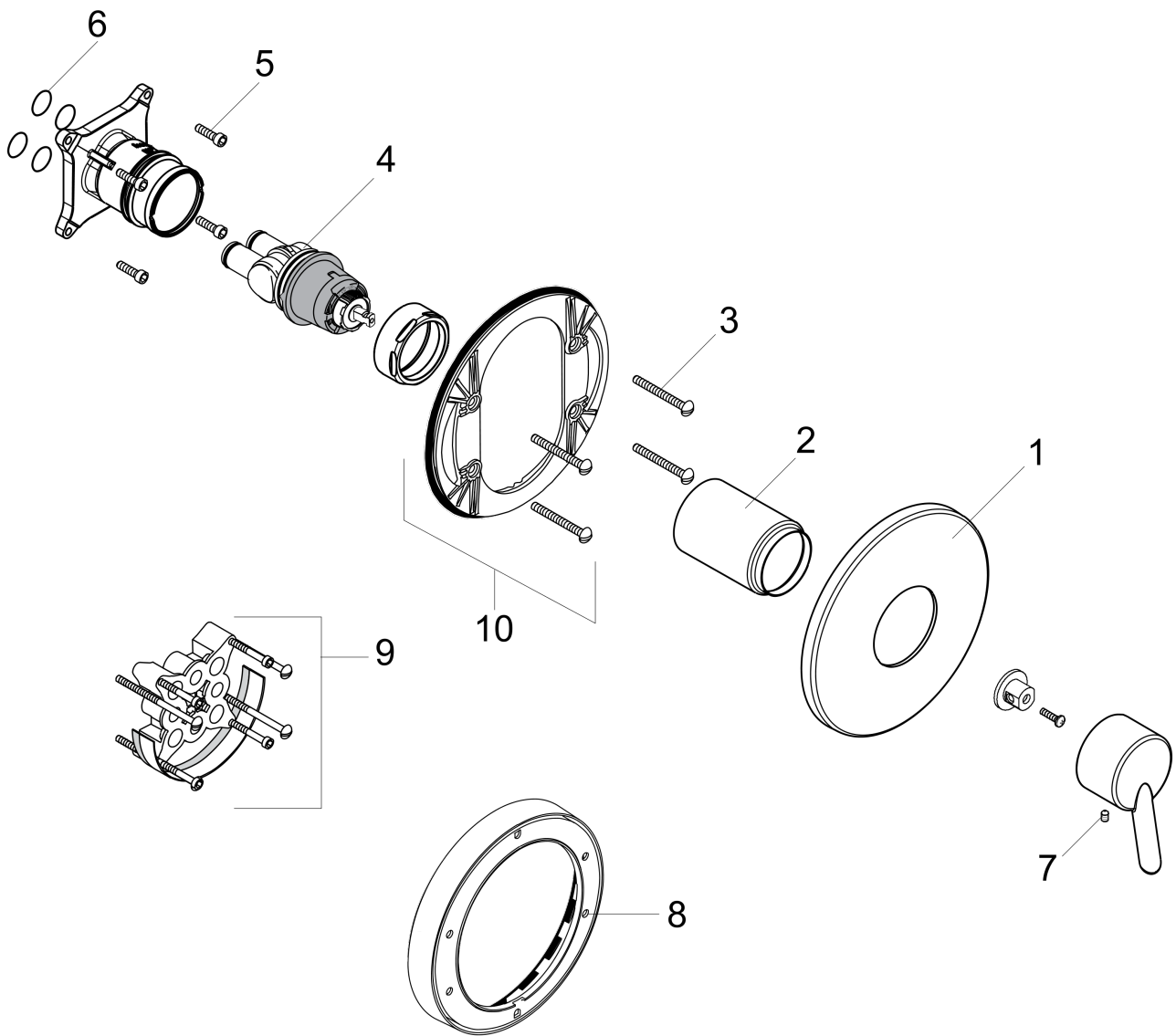


**Commercial**  
**Pressure Balance Trim S**  
 Finishes : **chrome**    Part no. : **04441000**



Exploded drawing

Year of production: >11/10



**Commercial**

**Pressure Balance Trim S**

Finishes : **chrome** Part no. : **04441000**



**Spare parts list**

Year of production: >11/10

Pos.	Description	Part no.	Price	PU
1	escutcheon	88760000	-	1
2	sleeve	88765000	-	1
3	set of fixing screws	96454000	-	1
4	cartridge, assy	88727000	-	1
5	set of screws	96525000	-	1
6	O-ring 16x2	98133000	-	1
7	screw	88654000	-	1
8	extension 22 mm (Ø 170 mm)	13596000	-	1
9	extension 25 mm	13595000	-	1
10	sub plate	96447000	-	1
a	base body	01850181	-	1