

# JASON<sup>®</sup>

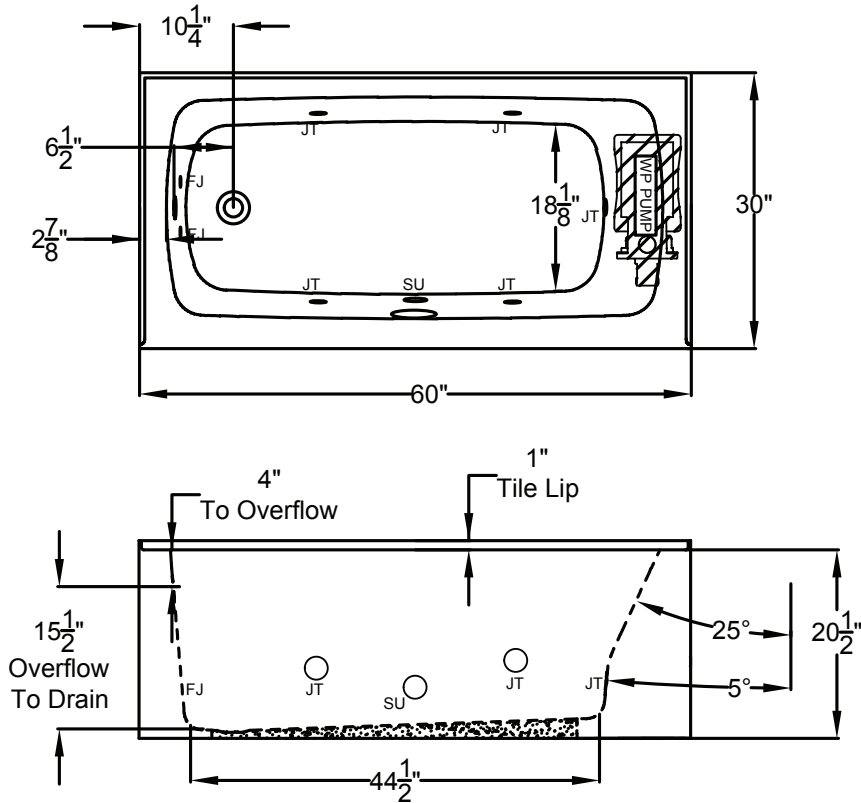
HYDROTHERAPY

8328 MacArthur Dr. • North Little Rock, AR 72118  
 501.771.4477 • Fax: 501.771.2333  
 Customer Service: 800.255.5766  
 www.jasoninternational.com

## Designer Collection Specifications

### KT525-SL/SR

#### Whirlpool & Soaking






Patents received or pending.

Note: Dimensional Tolerances: ±1/4"

<b>Drop-in-Hole Size:</b>	N/A
<b>Operating Capacity:</b>	38 Gal.
<b>Overflow Capacity:</b>	60 Gal.
<b>Floor Loading / sq.ft. (WP/Soaking):</b>	58.8 / 55.3 lbs.
<b>Carton Wt. (WP/Soaking):</b>	121 / 86 lbs.
<b>Cube:</b>	26.4 ft. <sup>3</sup>

**Construction:** Fiberglass reinforced acrylic bath with Level Form™ full-support base.

*We provide products listed with Intertek ETL SEMKO (Edison Testing Laboratories) U.S. and Canadian and with International Association of Plumbing and Mechanical Officials (IAPMO). Consult factory with your listing requirements.*

<b>Standard</b>		A 120V system that includes a quiet 1-1/2 HP, 1-speed whirlpool pump, an electronic control, and a 20-minute timer. The keypad also operates the optional Jetted Neck Pillow.
<b>Premier</b>		A 120V system that includes a quiet 1-1/2 HP, 1-speed whirlpool pump, bath heater, (2) Chromatherapy mood lights, Automatic Ozone System, an electronic control, and a 20-minute timer. The keypad also operates the optional Jetted Neck Pillow.
<b>Signature</b>		A 120V system that includes a quiet 1-1/2 HP, 1-speed whirlpool pump, bath heater, (2) Chromatherapy mood lights, Automatic Ozone System, a digital control with LCD display, low water level and temperature sensors, a 20-minute timer, and Bluetooth Sound Immersion System. Control keypad operates the pump, LED Chromatherapy mood lights, optional Jetted Neck Pillow and shows equipment status, water temperature, and time remaining.